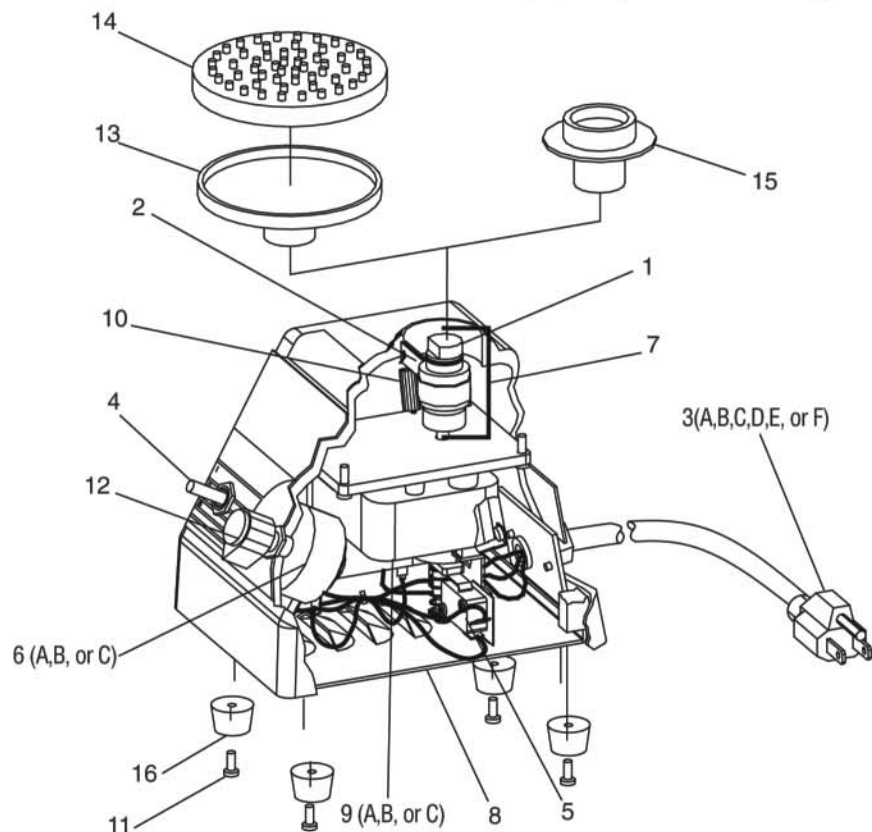


VORTEX-GENIE® 2

Parts Assembly List

To order parts for the VORTEX-GENIE 2:
Contact your local distributor or visit
www.scientificindustries.com. Please specify
Part No., quantity and electric voltage.



VORTEX-GENIE® 2*

OPERATING INSTRUCTIONS

Models G560, G560E and G560-100V



Indicator No.	Part No.	Description	Indicator No.	Part No.	Description
1	0K-0236-902	Bearing Retainer Kit	7	0K-0236-904	Eccentric with Clamp Assembly
2	0K-0236-903	Eccentric Clamp	8	0M-0236-210	Bottom Closure
3A	318-0510-02	120V Line Cord	9A	0K-0236-905	Motor 120V Assembly
3B	0K-0246-901	230V Line Cord, without plug	9B	0K-0246-915	Motor 230V Assembly
3C	0K-0256-901	230V Line Cord, European plug	9C	0K-0286-915	Motor 100V Assembly
3D	0K-0266-901	230V Line Cord, British plug	10	566-0028-00	Spring, Extension, Eccentric
3E	0K-0276-901	230V Line Cord, Swiss plug	11	SCP0030	Screws, Bottom Closure (4)
3F	0K-0286-901	100V Line Cord	12	0M-0236-209	Knob, Push-On
4	ESP0004	Switch, On/Off/On	13	0K-0500-901	3-inch Platform
5	ESP0005	Micro Switch	14	580-2013-00	Rubber Cover for 3-inch Platform
6A	EPP0005	Speed Control 120V	15	146-3011-00	Pop-Off Cup
6B	EB-0246-500	Speed Control 230V	16	0K-0236-907	Feet with Screws (4)
6C	EB-0286-500	Speed Control 100V			



70 Orville Drive, Bohemia, NY 11716 U.S.A.
(631) 567-4700 • Fax: (631) 567-5896 • Toll Free: 888-850-6208
Customer Service: custsvc@scientificindustries.com
www.scientificindustries.com

The VORTEX-GENIE® 2 mixer with pop-off cup and three-inch platform, is an upgraded version of the original industry standard VORTEX-GENIE mixer, with many capabilities and features.

Interchangeable Quick-Change™ snap-on attachments can be pressed on and popped off without the use of tools. The powerful motor works via “constant on” or “touch on” operation, and the variable speed provides both vortex and shaking actions, greatly expanding its applications. It allows very slow operation without sacrificing high-speed performance, so any desired mix homogeneity can be achieved (and repeated) according to viscosity, miscibility and container.

APPLICATIONS

The three-inch platform accepts single or multiple test tubes, beakers and various flasks. The removable cover is made of thermoplastic rubber, and is highly impervious to most chemicals. Still, it is recommended that spills are blotted quickly. Do not attempt to use the three-inch platform without its cover.



The pop-off cup can accommodate tubes of almost any size or shape—from microcentrifuge tubes to those up to 40mm diameter and 200mm length. In almost all cases, tubes can be mixed uncapped. Proper speed control prevents overflow.



OPERATING INSTRUCTIONS

We recommend you retain the original packaging for 90 days in case you need to return the product for any reason to your distributor or Scientific Industries.

1. Plug the cord into a properly grounded, three-pronged outlet (120V for the G560 model; 230V for the G560E; 100V for the G560-100V).
2. VORTEX-GENIE 2 is supplied with the three-inch platform installed and is ready for use. To install the pop-off cup or other attachments (sold separately), follow these steps:
 - a. Turn power to “OFF” (○) position
 - b. Remove the installed attachment by pulling straight up
 - c. Place alternate attachment on post and rotate until “flats” align
 - d. Press attachment down firmly until it snaps into place
3. For intermittent operation, push switch to “TOUCH” (⏻) position. For continuous operation, push switch to “ON” (⏻) position.
4. Turn speed control knob to setting No. 3 on the dial (generally, mixer will not start if dial is lower than setting No. 3). In the “ON” position, you will see the attachment in motion immediately. In the “TOUCH” (⏻) position, the vessel must come in contact with the attachment to achieve motion. To achieve the desired mix, vary the speed on the dial and/or the angle of contact and pressure against the mixing attachment.
5. When finished with either continuous or intermittent operation, return switch to “OFF” position in center.
6. The VORTEX-GENIE 2 mixer may become warm to the touch with constant use, however, performance will not be affected.

⚠ CAUTION! Do not lift the VORTEX-GENIE 2 mixer by its attachment.

All of the attachments, including the cup, are removable. They will pop off easily when lifted, and snap on again just as easily by aligning and then pressing down.

⚠ CAUTION! Failure to follow operating instructions can compromise user's safety.

Care and Handling

The VORTEX-GENIE 2 mixer should be given the care normally required for any electrical appliance. Avoid wetting or unnecessary exposure to fumes. The surface can be washed with water and soap or detergents, using a cloth or sponge. All rubber and foam parts will wear over time depending upon frequency of use, exposure to chemicals, etc. These and all replacement parts are available through most laboratory equipment distributors. Refer to “Parts Assembly List” and enclosed multi-fold brochure.

⚠ CAUTION! Unplug from power before cleaning. Do not immerse.

SPECIFICATIONS

The VORTEX-GENIE 2 mixer is classified as “Installation Category 2”
 Environmental: 0°C (32°F) - 38°C (100°F), 95% Humidity max.

MODEL	POWER REQUIRED	AMPS
G560	120V/60Hz	0.65
G560E	230V/50-60Hz	0.5
G560-100V	100V/50-60Hz	1.0

ETL Listed
 Conforms to UL Std. 3101-1

CE



ETL Listed
 Certified to CAN/CSA C22.2