

#### 4.0. TROUBLESHOOTING GUIDE / SERVICE

Be sure to disconnect the rocker from the main power source immediately in case of any signs of malfunction and contact Labnet International, Inc. Service Department at (732) 417-0700; Monday through Friday; 8.30a.m. - 5.00p.m.; EST.

<u>Problem</u>	<u>Explanation / Solution</u>
POWER switch doesn't light up	Check the power connection, Check fuses Call Labnet Service Department
Rocker does not START	Check the power connection, Check fuses Call Labnet Service Department

#### 5.0. ROUTINE MAINTANCE / CLEANING

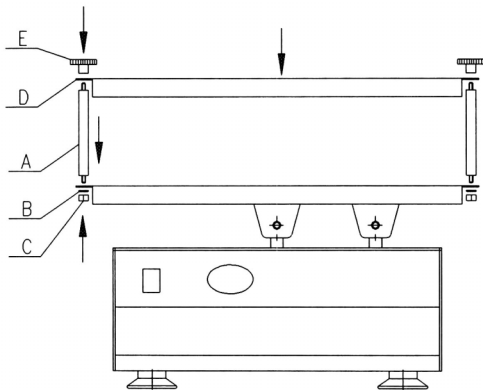
- No routine maintenance or lubrication is required.
- It is recommended that the rocker is kept clean to insure long trouble-free operation.

##### 5.1. CLEANING

The outside housing can be cleaned with a soft, damp cloth when needed. Do not use any aggressive or abrasive cleaners (acetone, nitro, polish etc.) This may permanently damage the rocker finish.



**Before cleaning the rocker, always unplug the power cord from the wall socket!**



1. Set posts (A) through four holes at the corners of bottom platform
2. Add washer (B) and nut (C) to each post.
3. Fit upper platform (D) on the top of four posts through corner holes.
4. Screw on four metal knurl nuts (E) to secure upper platform.

**NOTE:**

Misuse or unauthorized modifications will waive the warranty rights. If the equipment is used in a manner not specified by the manufacturer, the safety features of the shaker may be impaired.

**Labnet**  
Labnet International, Inc.

P.O. Box 841 • Woodbridge, NJ 07095 • phone: 732 417-0700  
e-mail: labnet@labnetlink.com • <http://www.labnetlink.com>

## Instruction Manual

# PROBLOT ROCKER 25 and 25XL

Labnet International, Inc.  
PO Box 841  
Woodbridge, NJ 07095  
Phone 732 417-0700  
Fax 732 417-1750  
email [labnet@labnetlink.com](mailto:labnet@labnetlink.com)  
[www.labnetlink.com](http://www.labnetlink.com)

**Labnet**  
Labnet International, Inc.

October 2008

## 1.0 GENERAL SPECIFICATIONS

Electrical requirements:	
115V model	115V ± 10% - 50/60Hz, 0.2A
230V model	230V ± 10% - 50/60Hz, 0.1A
Fuse	2 x 0.5A 230V ; 2 x 1A 115V
Speed	from 10 to 120 rocks (tilts)/min
Tilt angle	±7° from Horizontal
Timer	10 – 120 min in 10 min step, HOLD function
Maximum Load	5 kg
Rocker 25 Dimensions WxLxH	289x320x160mm
Rocker 25XL Dimensions WxLxH	325x360x160mm
Platform dimensions:	
Rocker 25 WxL	289x203mm;
Rocker 25XL WxL	300x300mm
Included accessories	one flat rubber mat
Weight	5.6 kg
Operating Conditions	4°C to 70°C, up to 85% RH, non-condensing

## 2.0 INSTALLATION OF THE ROCKER

### 2.1 UNPACKING

Before starting the installation, carefully examine the rocker for possible damage or missing parts.

- Open the box and carefully remove the padding. Check that the rocker has not been visibly damaged during transportation. Keep the packing material until you are sure that the rocker works properly.
- Carefully lift the device out of the box.
- Be sure that the following information is included on the serial label located on the back of the unit: Serial Number, Product number, Electrical rating.
- Check that the power cord has a pin configuration that fits into a wall socket according to the local standard.

Should any kind of damage have occurred during transportation, contact the carrier immediately. The carrier is responsible for shipping damage.

### 2.2 SELECTING THE CORRECT LOCATION

When locating the rocker, please consider following:

- Put the rocker on horizontal, leveled and stable surface.
- Leave enough space around the rocker for normal air circulation, min. 10 cm.
- Leave enough space around the rocker for easy access and maintenance.
- Avoid locations subject to shocks and vibrations.
- Avoid locations subject to frequent power fluctuations or power losses (It may affect rocker performance)

Note: There has to be an easy access to the rocker control panel and main plug in case of emergency.

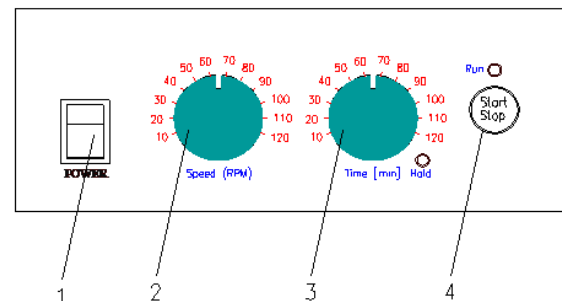
## 2.3 ATTACHING THE POWER CORD

First connect the main power cord to the rocker then connect the plug end of the cord to a grounded wall socket. Avoid lines on which powerful electric motors, refrigerators and similar devices are connected.



**Be careful when you plug the cord to a grounded wall socket!**  
**Do not touch plug with wet hand!**  
**Do not pull the plug by the cord!**

## 3.0 INSTRUCTIONS FOR USE



1. **POWER** switch – to turn the rocker **ON** (power switch illuminates) or **OFF**
2. **SPEED** potentiometer – to set the rocker speed
3. **TIME** potentiometer – set time of shaker
4. **HOLD** yellow light – illuminates when shaker is set for continuous running.
5. **START/STOP** button – **START** or **STOP** rocking.
6. **RUN** green light – illuminates when shaker is running.



**Do not use the rocker near water sources. Be sure that water doesn't get on the device, especially during the cleaning procedures.**

- Do not expose the shaker to aggressive vapors (e.g. organic solvents).
- Do not insert any objects into the rocker (such as screw driver or metal rods).
- Never operate the shaker without platform securely attached.
- Hazardous samples should be shaken only in appropriate containment vessels.

### 3.1 BASIC OPERATION

1. Switch on **POWER**.
2. Set **SPEED** potentiometer on desired value.
3. Set **TIME** potentiometer on desired value or on **HOLD** - continuous function (yellow light next to **HOLD** will illuminate)
4. Press **START/STOP** button to start rocking.
5. Press **START/STOP** button to stop rocking (**HOLD** position). Device automatically stops after the set time passes.

Note : Pressing the **START/stop** button during operation will reset the timer.



**Do not rock flammable or explosive samples!**