

2006

2508

3008

3015

4015

5022

6022

7540

9040

9550

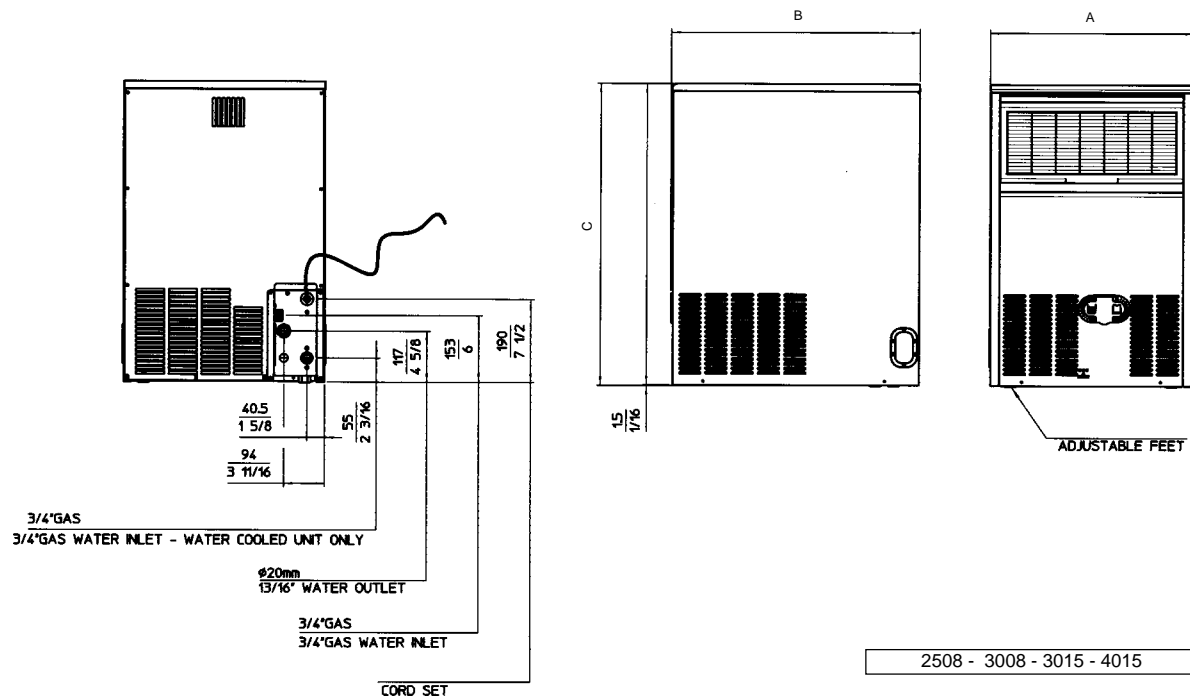
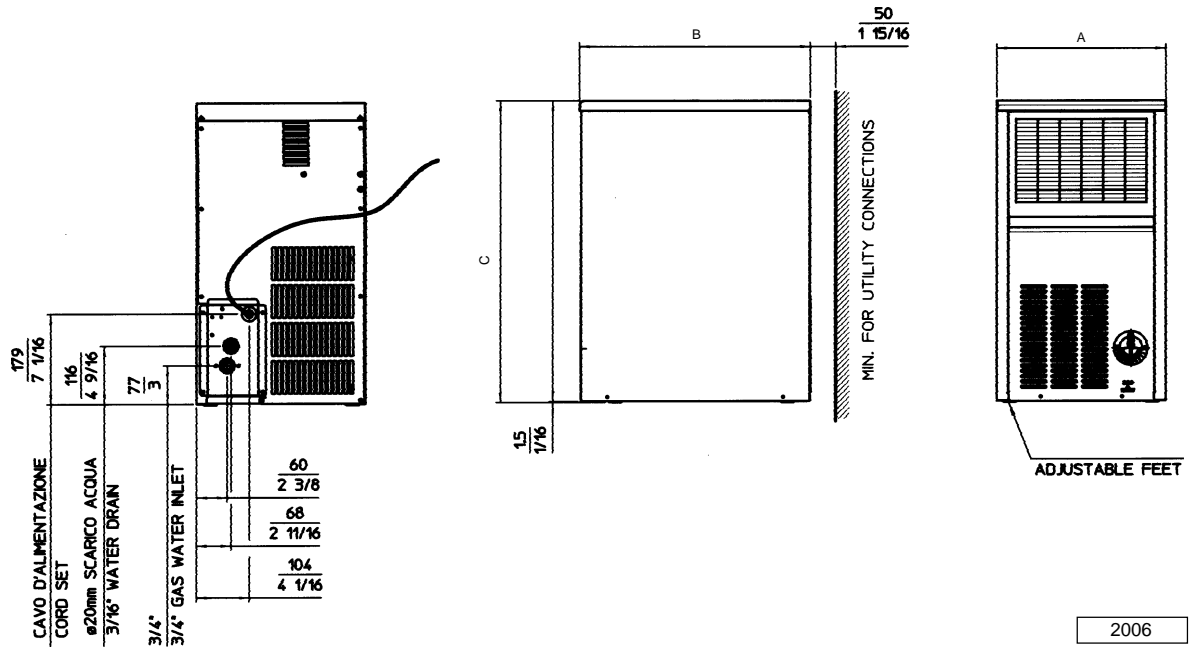
R 134 A

R 404 A

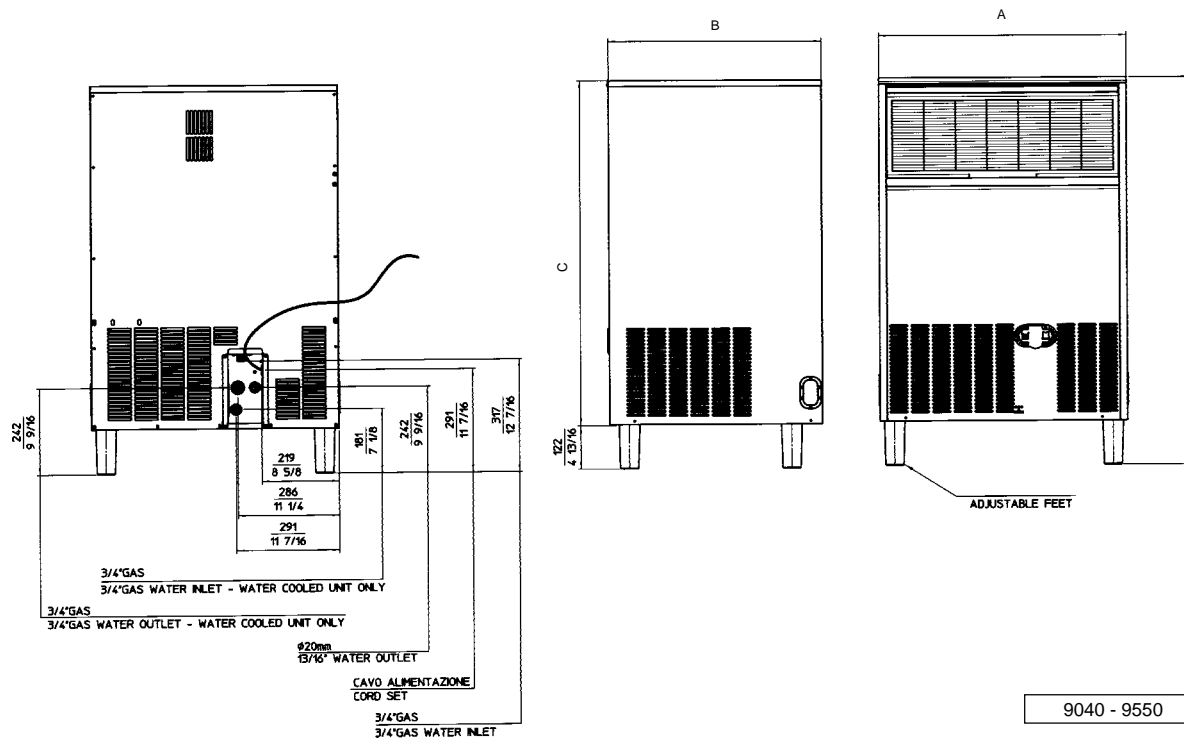
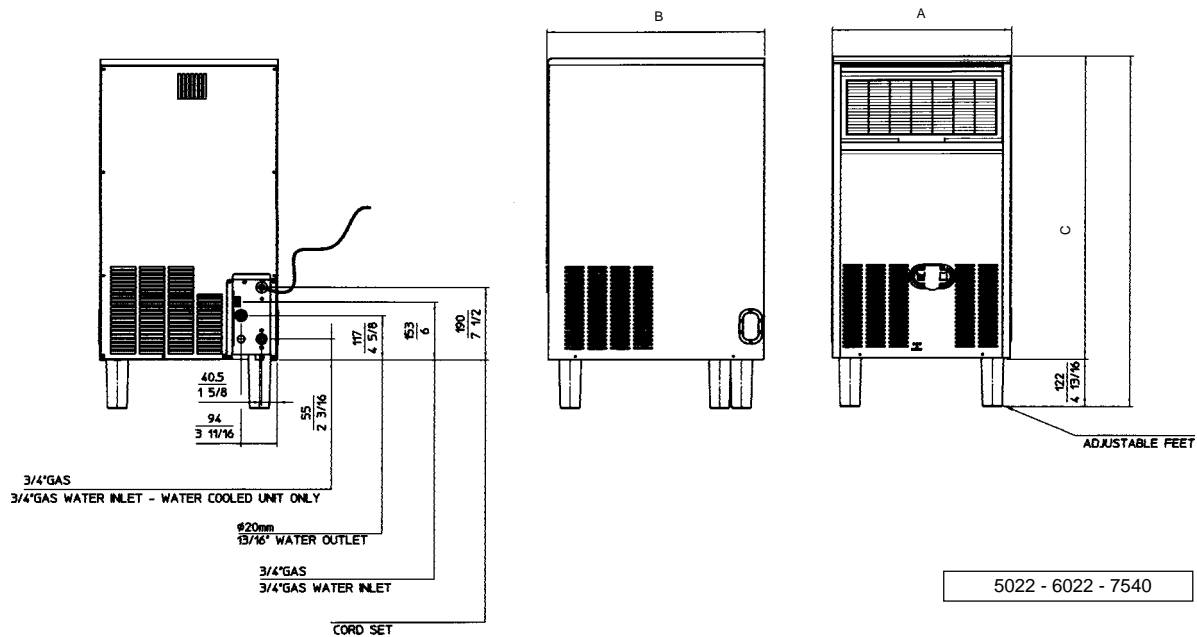
**Ice cubers
Fabbricatori di ghiaccio a cubetti
Machines á glaçons
Eiswürfelbereiter**

TABLE OF CONTENTS	PAGE	INDICE	PAG	TABLE DES MATIERES	PAGE	INHALT	SEITE
GENERAL INFORMATION AND INSTALLATION	1	INFORMAZIONI GENERALI ED INSTALLAZIONE	11	INFORMATIONS GENERALES ET INSTALLATION	22	ALLGEMEINES UND INSTALLATION	33
Introduction	1	Introduzione	11	Introduction	22	Einleitung	33
Unpacking and inspection	1	Disimballaggio ed ispezione	11	Déballage et examen	22	Auspacken und Kontrollieren	33
Location and levelling	1	Posizionamento e livellamento	11	Logement et mise de niveau	22	Stellplatz und Aufstellung	33
Electrical connection	2	Collegamenti elettrici	12	Branchement électrique	23	Elektrische Anschlüsse	34
Water supply and drain connection	2	Alimentazione idraulica e scarico	12	Branchement d'arrivée et d'évacuation eau	23	Wasserversorgung und Abflußleitungen	34
Final check list	3	Controllo finale	13	Liste de contrôle final	24	Endkontrolle	35
Installation practice	3	Schema di installazione	13	Schema d'installation	24	Installation	35
OPERATING INSTRUCTION	4	ISTRUZIONI DI FUNZIONAMENTO	14	MISE EN SERVICE	25	BETRIEBSANLEITUNG	36
Start up	4	Avviamento	14	Démarrage	25	Inbetriebnahme	36
Operational checks	4	Controlli durante il funzion.	14	Contrôle pendant le fonctionn.	25	Kontrolle bei Betrieb	36
OPERATING PRINCIPLES	6	PRINCIPIO DI FUNZIONAMENTO	16	PRINCIPE DE FONCTIONNEMENT	27	BETRIEB	38
Freezing cycle	6	Ciclo di congelamento	16	Cycle de congélation	27	Gefrierzyklus	38
Harvest cycle	6	Ciclo di scongelamento	16	Cycle de démoulage	28	Abtauzyklus	38
CLEANING INSTRUCTIONS OF WATER SYSTEM	9	ISTRUZIONI PER LA PULIZIA DEL CIRCUITO IDRAULICO	20	INSTRUCTION DE NETTOYAGE DU CIRCUIT HYDRAULIQUE	31	ANWEISUNGEN ZUR WARTUNG UND REINIGUNG	41

b)



	2006 mm (inch)	2508 / 3008 mm (inch)	3015 / 4015 mm (inch)
A	334 (13 1/8)	390 (15 3/8)	467 (18 3/8)
B	457 (18)	515 (20 9/32)	570 (22 7/16)
C	599 (23 9/16)	640 (25 3/16)	690 (27 3/16)



	5022 / 6022 mm (inch)	7540 mm (inch)	9040 mm (inch)	9550 mm (inch)
A	467 (18 3/8)	535 (21 1/16)	700 (27 1/2)	700 (27 1/2)
B	570 (22 7/16)	600 (23 5/8)	600 (23 5/8)	600 (23 5/8)
C	790 (31 1/8)	910 (35 13/16)	900 (35 7/16)	970 (38 3/16)

FIG. A

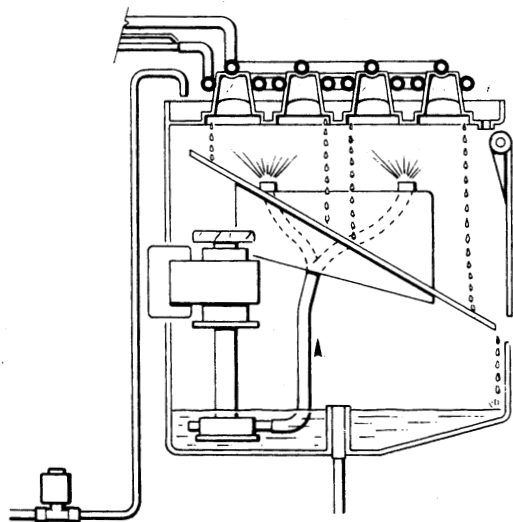


FIG. B

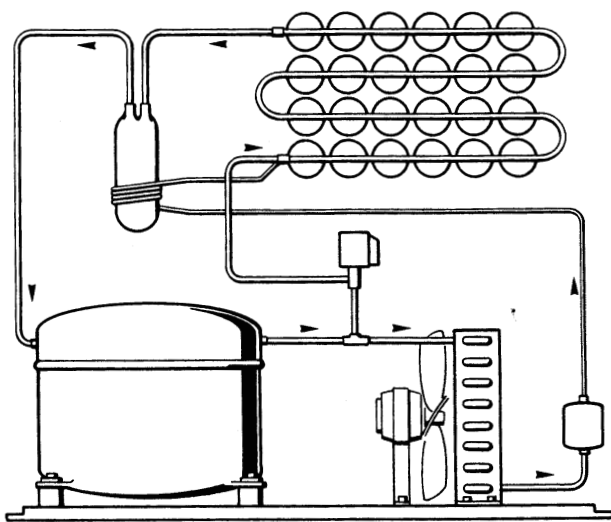


FIG. C

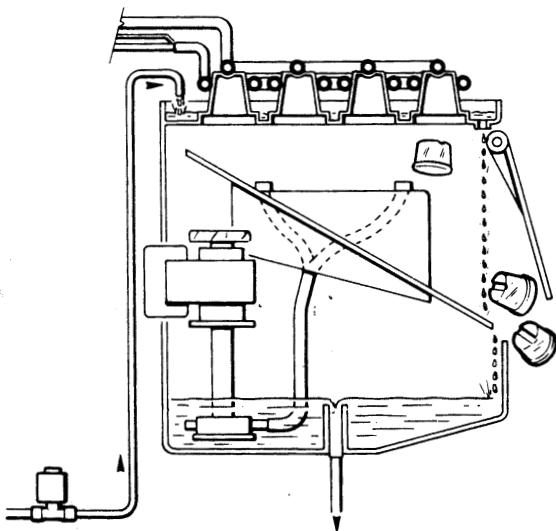
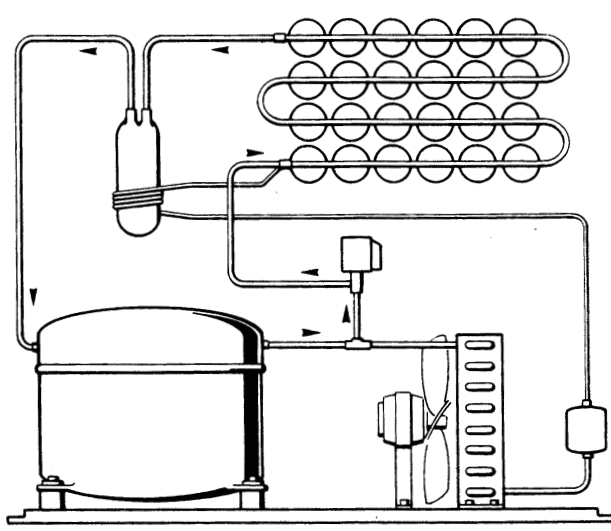


FIG. D



TECHNICAL SPECIFICATIONS - SPECIFICHE TECNICHE - DONNÉES TECHNIQUE - TECHNISCHE ANGABEN

	2006	2508	3008	3015	4015	5022	6022	7540	9040	9550
Voltage	230/50/1	230/50/1	230/50/1	230/50/1	230/50/1	230/50/1	230/50/1	230/50/1	230/50/1	230/50/1
Tension	-10 / +10%	-10 / +10%	-10 / +10%	-10 / +10%	-10 / +10%	-10 / +10%	-10 / +10%	-10 / +10%	-10 / +10%	-10 / +10%
Spannung										
Condensation	Air	Water	Air	Water	Air	Water	Air	Water	Air	Water
Condensazione										
Kühlung										
Bin capacity (kg)										
Capacità contenitore (kg)	6	8,5	8,5	15	15	22	22	39	39	49
Capacité bac glaçons (kg)										
Lademenge (kg)										
Cubes per cycle										
Cubetti per ciclo	15	18	24	24	24	32	32	44	56	56
Glaçons par cycle										
Würfel per Zyklus										
Running amps										
Amperaggio di marcia	1,9	1,9	1,8	1,9	2,7	2,7	3,4	4,3	4,3	3,7
Amperage en marche										
Ampere										
Starting amps										
Amperaggio avviamento	9,7	-	10,6	10,6	15,5	15,5	18	19,4	19,4	19,3
Amperage de démarrage										
Start Ampere										
Power - Watt										
Potenza - Watt	280	200	420	420	410	550	670	690	860	930
Puissance - Watt										
Leistung - Watt										
Power cons. in 24 hrs - Kwh										
Consumo elettr. in 24 ore - Kwh	6,5	5,4	7,3	6	9,3	7,9	12,2	14,6	15,8	17,6
Cons. electr. en 24 hrs - Kwh										
Stromverbrauch in 24 Std. - kWh										
Water consumption - lt/hr										
Consumo acqua - lt/ora	3	21	4	33	5	38	5	8,5	8,5	42
Consommation eau - lt/hr										
Wasserverbrauch - lt/hr										
Wire size - mmq										
Sezione cavi - mmq	3 x 1,5	3 x 1,5	3 x 1,5	3 x 1,5	3 x 1,5	3 x 1,5	3 x 1,5	3 x 1,5	3 x 1,5	3 x 1,5
Section fils - mmq										
Kabelstärke - mmq										
Refrigerant metering device										
Disp. espansione refrigerante	Capillary tube	Capillary tube	Capillary tube	Capillary tube	Capillary tube	Capillary tube	Capillary tube	Capillary tube	Capillary tube	Capillary tube
Détente du Réfrigérant										
Kühlmittel - Expansionsystem										

TECHNICAL SPECIFICATIONS - SPECIFICHE TECNICHE - DONNÉES TECHNIQUE - TECHNISCHE ANGABEN

	2006	2508	3008	3015	4015	5022	6022	7540	9040	9550
Refrigerant Refrigerante Réfrigérant Kühlmittel	R134A	R134A	R404A	R404A	R404A	R404A	R404A	R404A	R404A	R404A
Refrig. charge - gr Carica refrig. - gr Charge refrig. - gr Kühlmittel - Füll. - gr	160	280	260	260	210	250	320	350	340	330
Hi pressure - Freezing cycle - bar Press. mandata - ciclo congel. - bar Haute pression cycle congel. - bar Hochdruckbereich - Gefrierfase - bar	7-11*	7-10#	13-19,5*	11-16#	13-18*	14-21,5*	13,5-18,5*	13-17,5*	13,5-16,5*	14-16,5*
Suction pressure - End freezing cycle - bar Press. aspiraz. - Fine ciclo cong. - bar Bas pression - Fin cycle congel. - bar Niederdruckbereich - Gefrierfase - bar	0-0,1	0-0,1	1,5	1,2	1,2	1,3	1,1	1,1	1,5	1,5

*) 21°C - Room Temperature - Temperatura ambiente - Temperature ambiante -

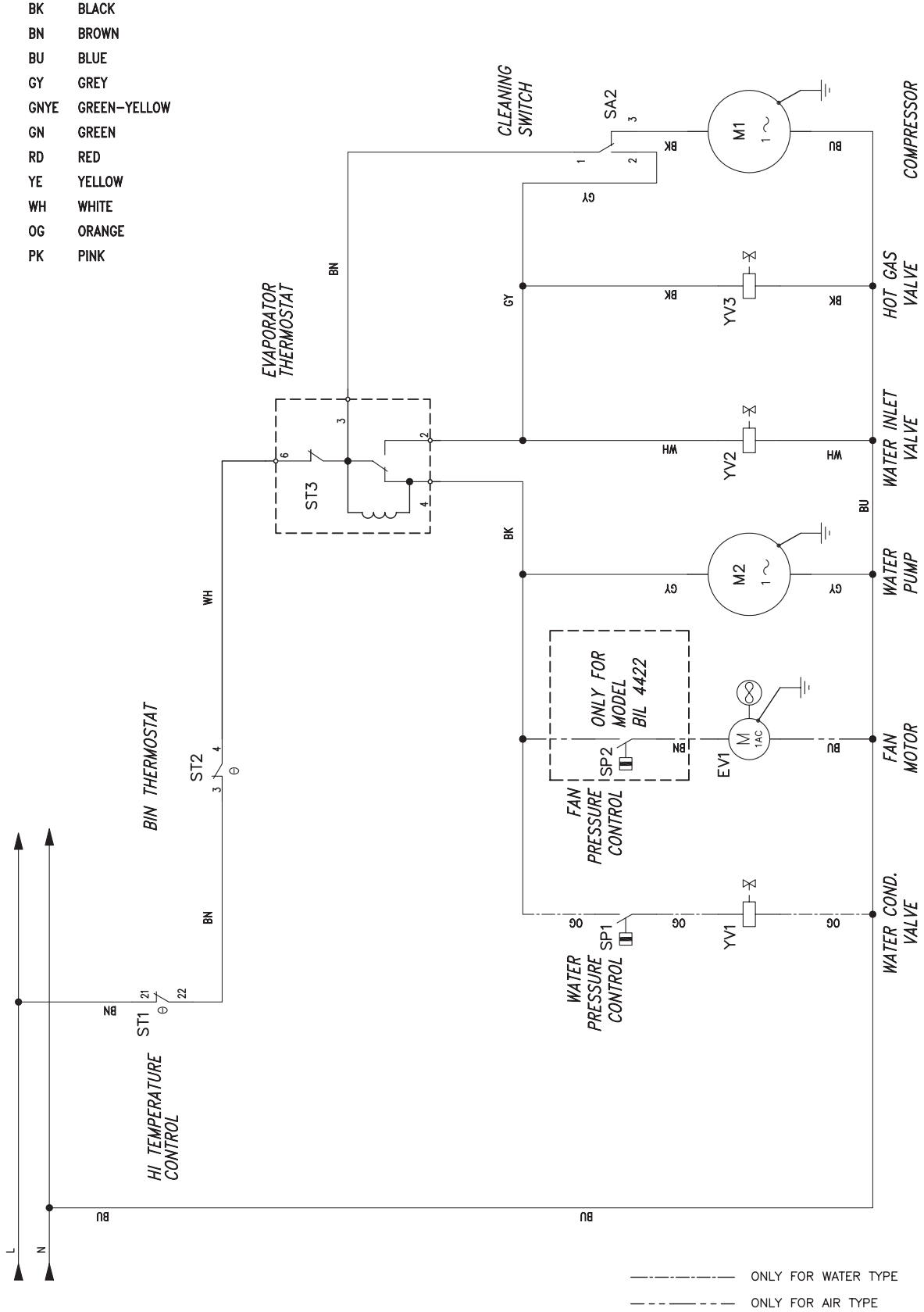
#) 15°C - Water inlet temperature - Temperatura entrata acqua - Temperature arrivée eau

2006 - 2508 - 3008 - 3015 - 4015 - 5022

WIRING DIAGRAM - SCHEMA ELETTRICO - SCHÉMA ÉLECTRIQUE - SCHALTUNGSSCHEMA

AIR & WATER COOLED - RAFFREDDAMENTO AD ARIA ED AD ACQUA.
REFROIDISSEMENT A AIR ET A EAU - LUFT- UND WASSERGEKÜHLT

230/50-60/1

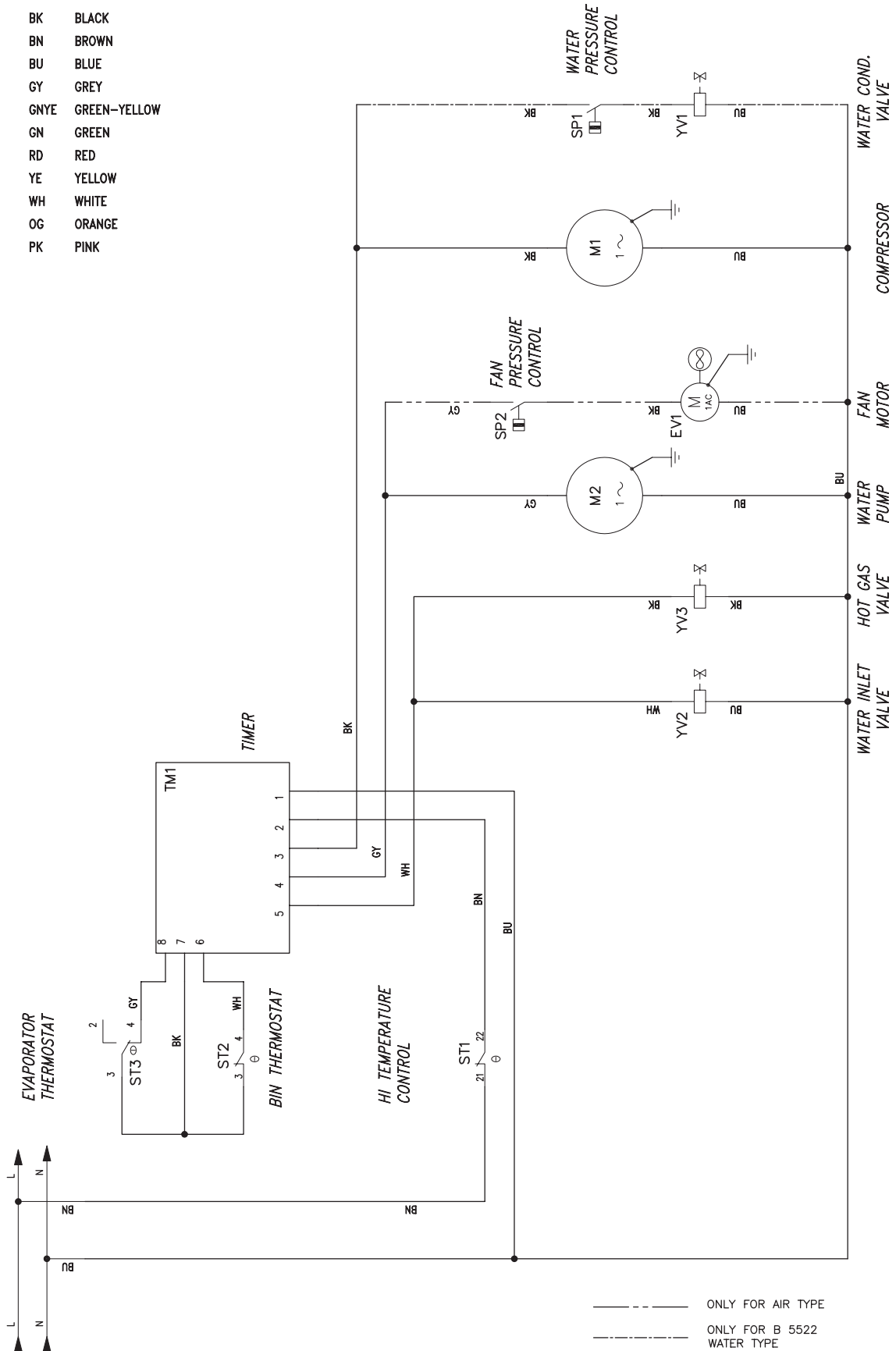


6022 - 7540 - 9040 - 9550

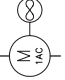


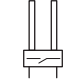
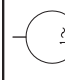
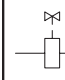

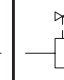
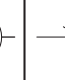




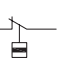
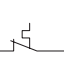
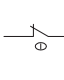
**WIRING DIAGRAM - SCHEMA ELETTRICO - SCHÉMA ÉLECTRIQUE - SCHALTUNGSSCHEMA
ELECTRONIC TIMER VERSION - VERSIONE CON TIMER ELETTRONICO**

230/50-60/1

- BK BLACK
- BN BROWN
- BU BLUE
- GY GREY
- GNYE GREEN-YELLOW
- GN GREEN
- RD RED
- YE YELLOW
- WH WHITE
- OG ORANGE
- PK PINK



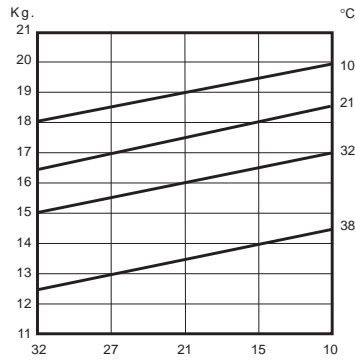
— ONLY FOR AIR TYPE
- - - ONLY FOR B 5522 WATER TYPE

Sim.\Sym.	Sigla \Item	Funzione \Use Type	Sim.\Sym.	Sigla \Item	Funzione \Use Type	Sim.\Sym.	Sigla \Item	Funzione \Use Type
	EV1	Fan motor Ventilatore		TM1	Electronic timer Timer elettronico			
	M1	Compressor Compressore		WS1	Water level sensor Sensore livello acqua			
	M2	Water pump Pompa acqua		YV1	Water condenser valve Elettrovalvola condensatore acqua			
	M3	Pump water discharge Pompa scarico acqua		YV2	Water inlet valve Elettrovalvola ingresso acqua			
	SA2	Power switch Interruttore generale		YV3	Hot gas valve Elettrovalvola gas caldo			
	SK1	PWC control board Scheda controllo PWC						
	SP1	Pressure water control Pressostato acqua						
	SP2	Fan pressure control Pressostato ventilatore						
	ST1	HI Temperature control Controllo alta temperatura						
	ST2	Bin thermostat Termostato magazzino						
	ST3	Evaporator thermostat Termostato evaporatore						

Capacità di produzione - Ice making capacity - Capacité de production - Eisproduktionskapazität

PRODUZIONE GHIACCIO PER 24 ORE - ICE PRODUCED PER 24 HRS.
PRODUCTION DE GLACE PAR 24 HEURES - EISWÜRFELPRODUKTION IN 24 STD.

RAFFREDDAMENTO AD ARIA - AIR COOLED MODELS
CONDENSATION PAR AIR - LUFTKÜHLUNG



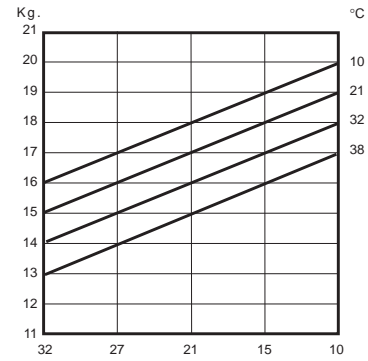
TEMPERATURA ACQUA - WATER TEMPERATURE
TEMPÉRATURE DE L'EAU - WASSERTEMPÉRATUR

TEMPERATURA AMBIENTE - AMBIENT TEMPERATURE
TEMPÉRATURE AMBIANT - RAUMTEMPÉRATUR

2006

PRODUZIONE GHIACCIO PER 24 ORE - ICE PRODUCED PER 24 HRS.
PRODUCTION DE GLACE PAR 24 HEURES - EISWÜRFELPRODUKTION IN 24 STD.

RAFFREDDAMENTO AD ACQUA - WATER COOLED MODELS
CONDENSATION PAR EAU - WASSERKÜHLUNG

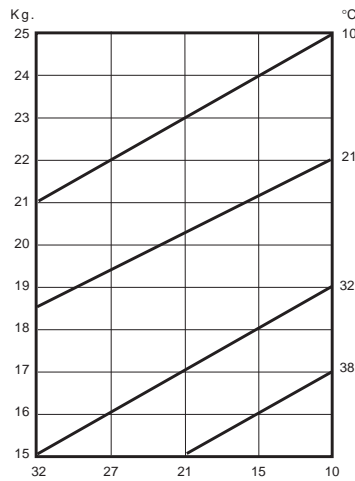


TEMPERATURA ACQUA - WATER TEMPERATURE
TEMPÉRATURE DE L'EAU - WASSERTEMPÉRATUR

TEMPERATURA AMBIENTE - AMBIENT TEMPERATURE
TEMPÉRATURE AMBIANT - RAUMTEMPÉRATUR

PRODUZIONE GHIACCIO PER 24 ORE - ICE PRODUCED PER 24 HRS.
PRODUCTION DE GLACE PAR 24 HEURES - EISWÜRFELPRODUKTION IN 24 STD.

RAFFREDDAMENTO AD ARIA - AIR COOLED MODELS
CONDENSATION PAR AIR - LUFTKÜHLUNG



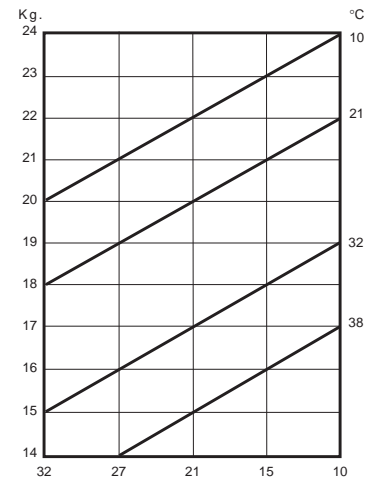
TEMPERATURA ACQUA - WATER TEMPERATURE
TEMPÉRATURE DE L'EAU - WASSERTEMPÉRATUR

TEMPERATURA AMBIENTE - AMBIENT TEMPERATURE
TEMPÉRATURE AMBIANT - RAUMTEMPÉRATUR

2508

PRODUZIONE GHIACCIO PER 24 ORE - ICE PRODUCED PER 24 HRS.
PRODUCTION DE GLACE PAR 24 HEURES - EISWÜRFELPRODUKTION IN 24 STD.

RAFFREDDAMENTO AD ACQUA - WATER COOLED MODELS
CONDENSATION PAR EAU - WASSERKÜHLUNG

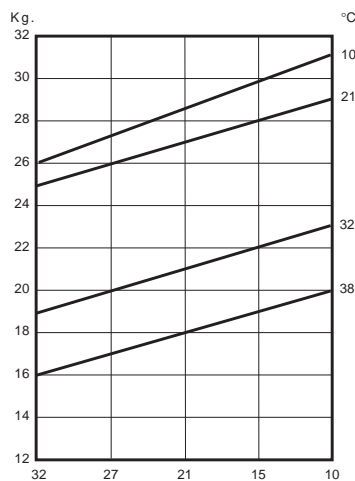


TEMPERATURA ACQUA - WATER TEMPERATURE
TEMPÉRATURE DE L'EAU - WASSERTEMPÉRATUR

TEMPERATURA AMBIENTE - AMBIENT TEMPERATURE
TEMPÉRATURE AMBIANT - RAUMTEMPÉRATUR

PRODUZIONE GHIACCIO PER 24 ORE - ICE PRODUCED PER 24 HRS.
PRODUCTION DE GLACE PAR 24 HEURES - EISWÜRFELPRODUKTION IN 24 STD.

RAFFREDDAMENTO AD ARIA - AIR COOLED MODELS
CONDENSATION PAR AIR - LUFTKÜHLUNG



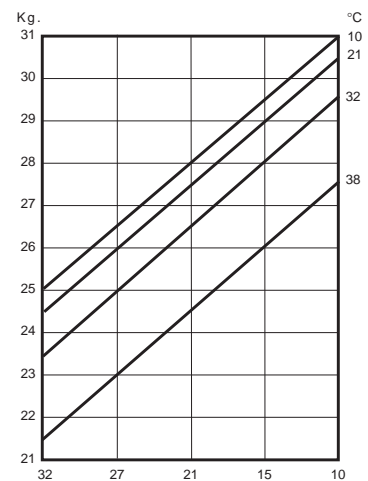
TEMPERATURA ACQUA - WATER TEMPERATURE
TEMPÉRATURE DE L'EAU - WASSERTEMPÉRATUR

TEMPERATURA AMBIENTE - AMBIENT TEMPERATURE
TEMPÉRATURE AMBIANT - RAUMTEMPÉRATUR

**3008
&
3015**

PRODUZIONE GHIACCIO PER 24 ORE - ICE PRODUCED PER 24 HRS.
PRODUCTION DE GLACE PAR 24 HEURES - EISWÜRFELPRODUKTION IN 24 STD.

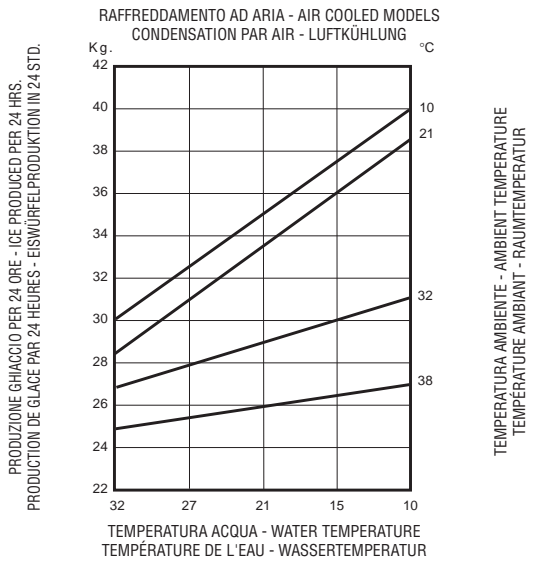
RAFFREDDAMENTO AD ACQUA - WATER COOLED MODELS
CONDENSATION PAR EAU - WASSERKÜHLUNG



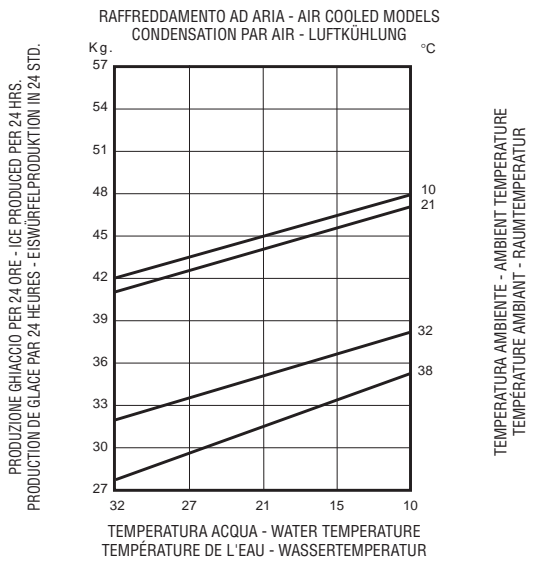
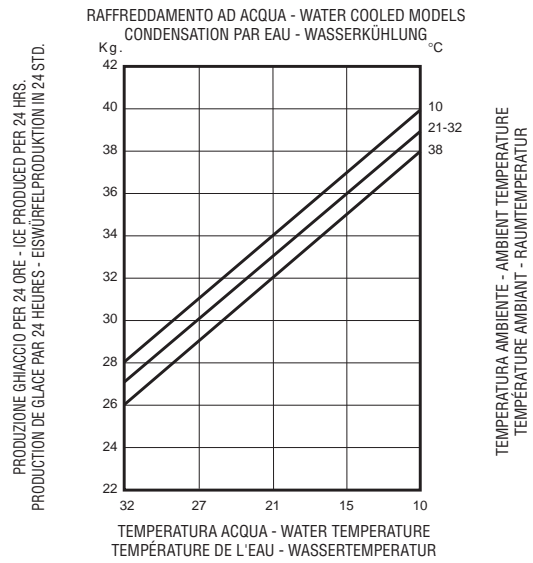
TEMPERATURA ACQUA - WATER TEMPERATURE
TEMPÉRATURE DE L'EAU - WASSERTEMPÉRATUR

TEMPERATURA AMBIENTE - AMBIENT TEMPERATURE
TEMPÉRATURE AMBIANT - RAUMTEMPÉRATUR

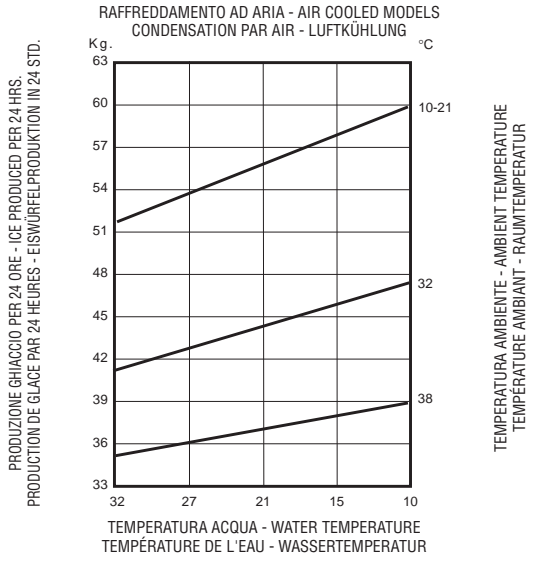
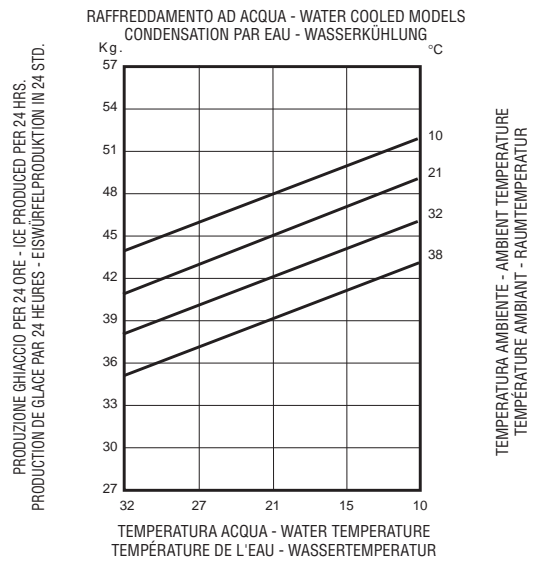
Capacità di produzione - Ice making capacity - Capacité de production - Eisproduktionskapazität



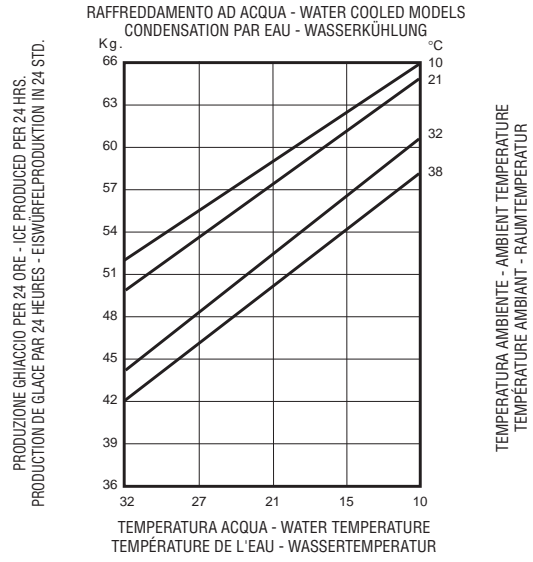
4015



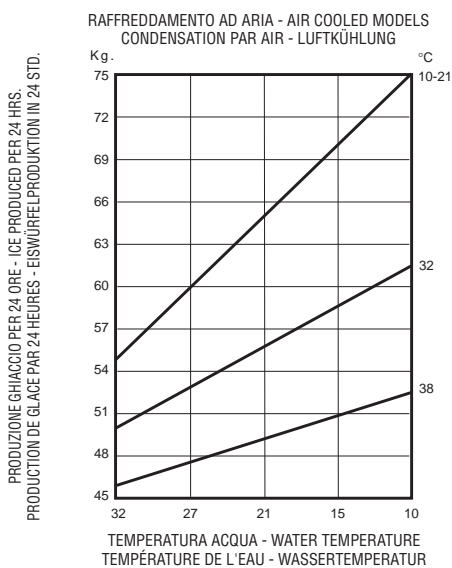
5022



6022

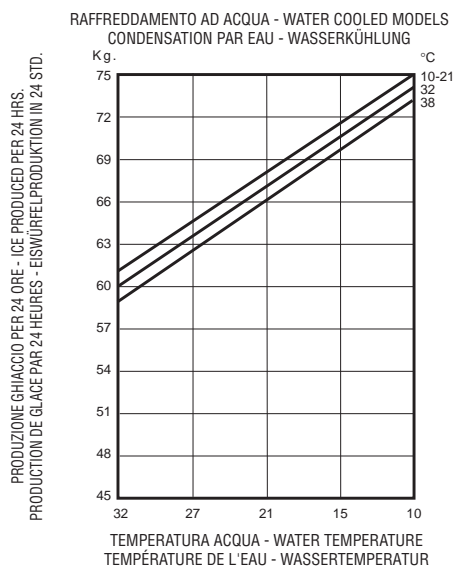


Capacità di produzione - Ice making capacity - Capacité de production - Eisproduktionskapazität

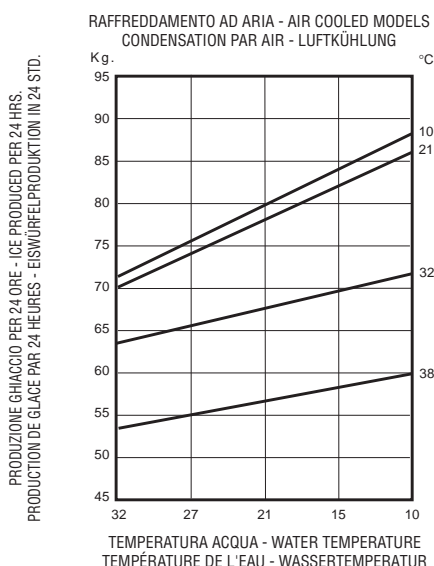


7540

TEMPERATURA AMBIENTE - AMBIENT TEMPERATURE
TEMPÉRATURE AMBIANT - RAUMTEMPÉRATUR

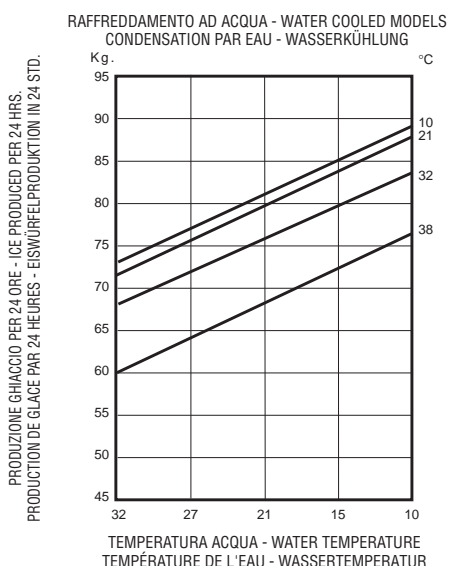


TEMPERATURA AMBIENTE - AMBIENT TEMPERATURE
TEMPÉRATURE AMBIANT - RAUMTEMPÉRATUR

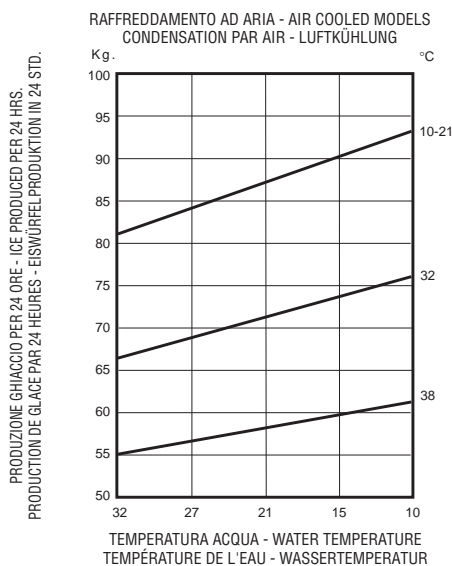


9040

TEMPERATURA AMBIENTE - AMBIENT TEMPERATURE
TEMPÉRATURE AMBIANT - RAUMTEMPÉRATUR

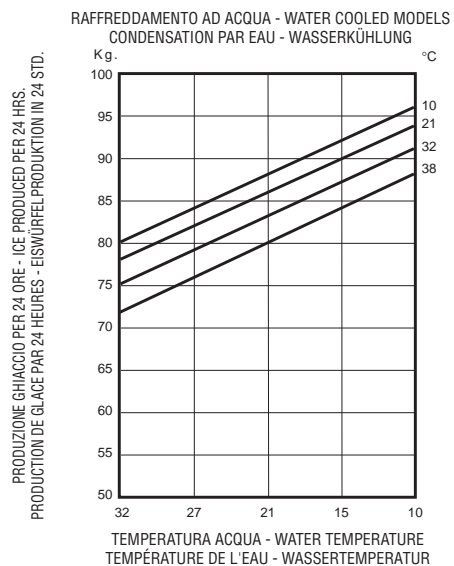


TEMPERATURA AMBIENTE - AMBIENT TEMPERATURE
TEMPÉRATURE AMBIANT - RAUMTEMPÉRATUR



9550

TEMPERATURA AMBIENTE - AMBIENT TEMPERATURE
TEMPÉRATURE AMBIANT - RAUMTEMPÉRATUR



TEMPERATURA AMBIENTE - AMBIENT TEMPERATURE
TEMPÉRATURE AMBIANT - RAUMTEMPÉRATUR

GENERAL INFORMATION AND INSTALLATION

A. INTRODUCTION

These Cubers are quality designed, engineered and manufactured.

Their ice making systems are thoroughly tested providing the utmost in flexibility to fit the needs of a particular user.

These ice makers have been engineered to our own rigid safety and performance standards.

NOTE. *To retain the safety and performance built into this icemaker, it is important that installation and maintenance be conducted in the manner outlined in this manual.*

B. UNPACKING AND INSPECTION

1. Visually inspect the exterior of the packing and skid. Any severe damage noted should be reported to the delivering carrier and a concealed damage claim form filled in subject to inspection of the contents with the carrier's representative present.

2. a) Cut and remove the plastic strip securing the carton box to the skid.

b) Cut open the top of the carton and remove the polystyrene protection sheet.

c) Pull out the polystyrene posts from the corners and then remove the carton.

3. Remove the front and the rear panels of the unit and inspect for any concealed damage. Notify carrier of your claim for the concealed damage as stated in step 1 above.

4. Open the bin door and remove all internal support packing and masking tape.



5. Check that refrigerant lines do not rub against or touch other lines or surfaces, and that the fan blade moves freely.

6. Use clean damp cloth to wipe the surfaces inside the storage bin and the outside of the cabinet.

7. See data plate on the rear side of the unit and check that local main voltage corresponds with the voltage specified on it.

CAUTION. **Incorrect voltage supplied to the icemaker will void your parts replacement program.**

8. Remove the manufacturer's registration card from the inside of the User Manual and fill-in all parts including: Model and Serial Number taken from the data plate.

Forward the completed self-addressed registration card to the factory.

C. LOCATION AND LEVELLING

WARNING. **This Ice Cuber is designed for indoor installation only. Extended periods of operation at temperatures exceeding the following limitations will constitute misuse under the terms of the Manufacturer's Limited Warranty resulting in LOSS of warranty coverage.**

1. Position the unit in the selected permanent location.

Criteria for selection of location include:

a) Minimum room temperature 10°C (50°F) and maximum room temperature 40°C (100°F).

b) Water inlet temperatures: minimum 5°C (40°F) and maximum 35°C (90°F).

c) Well ventilated location for air cooled models. Clean the air cooled condenser at frequent intervals.

d) Service access: adequate space must be left for all service connections through the rear of the ice maker. A minimum clearance of 15 cm (6") must be left at the sides of the unit for routing cooling air drawn into and exhausted out of the compartment to maintain proper condensing operation of air cooled models.

NOTE. *With the unit in "built-in" conditions, the ice production is gradually reduced in respect to the levels shown in the graph, up to a maximum of 10% at room temperatures higher than 32°C.*

The daily ice-making capacity is directly related to the condenser air inlet temperature, water temperature and age of the machine.

*To keep your **CUBER** at peak performance levels, periodic maintenance checks must be carried out as indicated on Cleaning Section of this manual.*

2. Level the unit in both the left to right and front to rear directions.

D. ELECTRICAL CONNECTIONS

See data plate for current requirements to determine wire size to be used on electrical connections. All icemakers require a **solid earth wire**.

The ice machines are supplied from the factory completely pre-wired and require only electrical power connections to wire cord provided on the back of the unit.

Make sure that the ice machine is connected to its own circuit and individually fused (see data plate for fuse size).

The maximum allowable voltage variation should not exceed -10% and +10% of the data plate rating. Low voltage can cause faulty functioning and may be responsible for serious damage to the overload switch and motor windings.

NOTE. All external wiring should conform to national, state and local standards and regulations.
Check voltage on the line and the ice maker's data plate before connecting the unit.

E. WATER SUPPLY AND DRAIN CONNECTIONS

General

When choosing the water supply for the ice cuber consideration should be given to:

- a) Length of run
- b) Water clarity and purity
- c) Adequate water supply pressure

Since water is the most important single ingredient in producing ice you cannot emphasize too much the three items listed above.

Low water pressure, below 1 bar may cause malfunction of the ice maker unit.

Water containing excessive minerals will tend to produce cloudy coloured ice cubes, plus scale built-up on parts of the water system.

Water supply

Connect the 3/4" male fitting of the solenoid water inlet valve, using the flexible hose supplied, to the cold water supply line with regular plumbing

fitting and a shut-off valve installed in an accessible position between the water supply line and the unit.

Water supply - Water cooled models (7540-9040-9550)

The water cooled versions of series 65 and 90 require two separate inlet water supplies, one for the water sprayed for making the ice cubes and the other for the water cooled condenser.

Connect the 3/4" male fitting of the water regulating valve using the flexible hose supplied with the unit to the cold water supply line with regular plumbing fitting and a shut-off valve installed in an accessible position between the water supply line and the unit.

Water drain

The recommended drain tube is a plastic or flexible tube with 18 mm (3/4") I.D. runs to an open trapped and vented drain. When the drain is a long run, allow 3 cm pitch per meter (1/4" pitch per foot).

A vertical open vent, at the unit drain connection, is also required for proper sump drainage.

Water drain - Water cooled models

The water drain line from the condenser, on water cooled versions, is internally connected with the drain fitting of the unit.

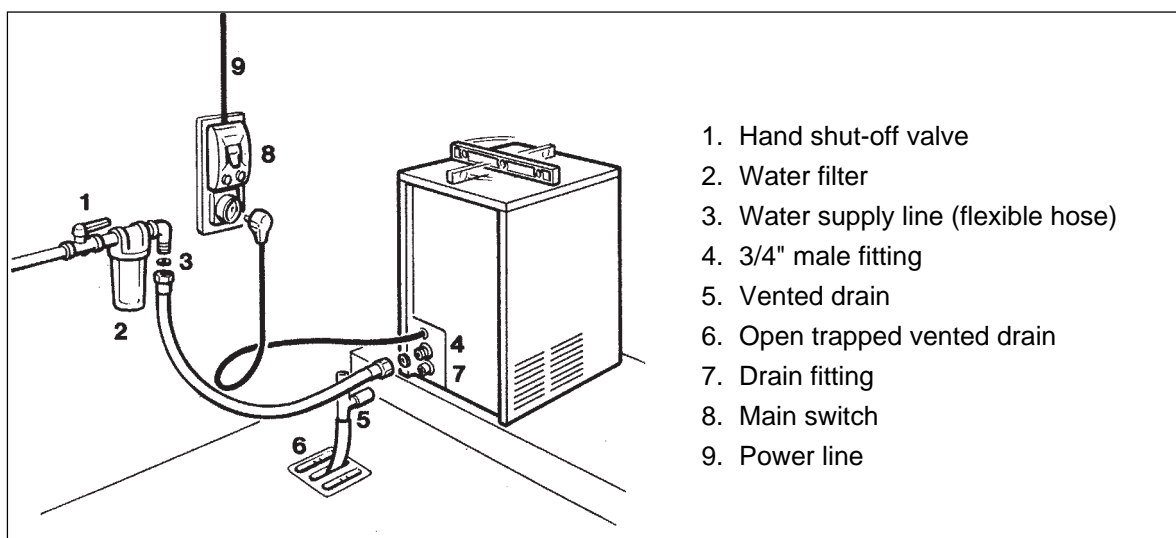
It is strongly recommended therefore to install a vertical open vent on unit drain line high point to ensure good draining and to direct the drain line to a trapped and vented floor drain receptacle. This to make sure of the proper flow of the drained water as, in case of poor drainage, the water ranning out from the condenser may inopportunately flow, through the unit drain tubing, into the ice storage bin.

NOTE. The water supply and the water drain must be installed to conform with the local code. In some case a licensed plumber and/ or a plumbing permit is required.

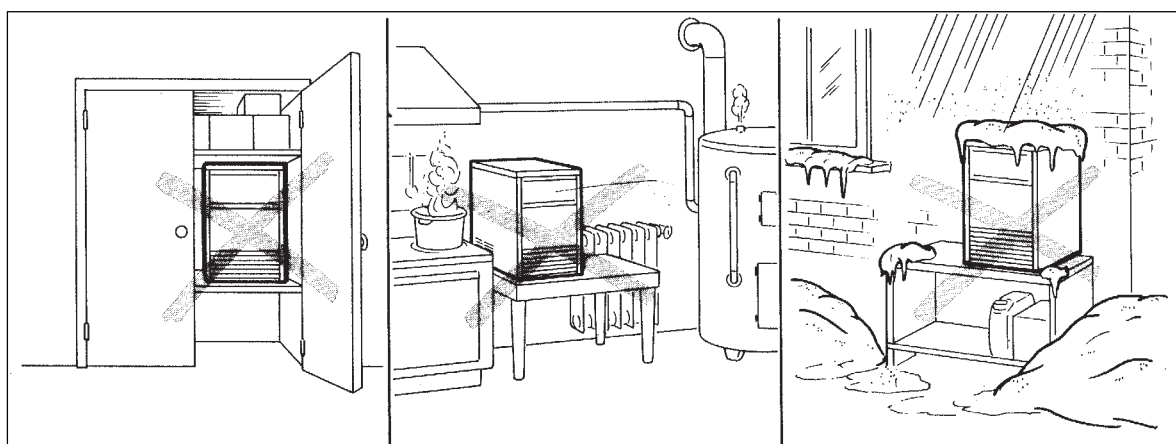
F. FINAL CHECK LIST

1. Is the unit in a room where ambient temperatures are within a minimum of 10°C (50°F) even in winter months?
2. Is there at least a 15 cm (6") clearance around the unit for proper air circulation?
3. Is the unit level? (IMPORTANT)
4. Have all the electrical and plumbing connections been made, and is the water supply shut-off valve open?
5. Has the voltage been tested and checked against the data plate rating?
6. Has the water supply pressure been checked to ensure a water pressure of at least 1 bar (14 psi).
7. Check all refrigerant lines and conduit lines to guard against vibrations and possible failure.
8. Have the bin liner and cabinet been wiped clean?
9. Has the owner/user been given the User Manual and been instructed on the importance of periodic maintenance checks?
10. Has the Manufacturer's registration card been filled in properly? Check for correct model and serial number against the serial plate and mail the registration card to the factory.
11. Has the owner been given the name and the phone number of the authorized Service Agency serving him?

G. INSTALLATION PRACTICE



WARNING. This icemaker is not designed for outdoor installation and will not function in ambient temperatures below 10°C (50°F) or above 40°C (100°F). This icemaker will malfunction with water temperatures below 5°C (40°F) or above 35°C (90°F).



OPERATING INSTRUCTIONS

START UP

After having correctly installed the ice maker and completed the plumbing and electrical connections, perform the following "Start-up" procedure.

2006-2508-3008-3015-4015-5022

A. Remove the unit front panel and locate the cleaning switch on the control box.

B. Set the cleaning switch in the cleaning position (II). This will close the electrical circuit to the water inlet valve and to the hot gas valve.

C. Switch ON the power line disconnect switch. Unit will start up in water filling phase mode. During this phase the components energized are:

WATER INLET SOLENOID VALVE
HOT GAS SOLENOID VALVE

The **Water pump** and the **Fan motor** are also in operation.

D. Let unit stay in water filling phase mode for about three/four minutes till water is coming out from the drain hose, then move the cleaning switch to the operation position (I).

6022-7540-9040-9550

A. Give power to the unit to start it up by switching ON the power line main switch; the unit will start automatically in defrost cycle with the following components energized:

WATER INLET SOLENOID VALVE
HOT GAS VALVE
COMPRESSOR
ELECTRONIC TIMER

NOTE. During the defrost cycle, the water inlet solenoid valve is energized. The water flows through the valve to the back side of the evaporator platen and then down to fill up the icemaker sump tank for the next freezing cycle.

OPERATIONAL CHECKS

A. The unit now starts its first freezing cycle with the following components in operation:

COMPRESSOR
WATER PUMP

FAN MOTOR in air cooled version

B. Check to see through the ice discharge opening that the spray system is correctly seated and that the water jets uniformly reach the interior of the inverted cup molds; also make sure that the plastic curtain is hanging freely and there is not excessive water spilling through it.

C. The ice making process takes place thereby, with the water sprayed into the molds that gets gradually refrigerated by the heat exchanged with the refrigerant flowing into the evaporator serpentine.

D. On units 2006 - 2508 - 3008 - 3015 - 4015 - 5022 when the evaporator temperature reaches a preset value the evaporator thermostat or cube size control changes its contacts; the freezing cycle ends and starts the defrost or harvest cycle.

E. On models 6022 - 7540 - 9040 - 9550 freezing cycle is completed through an electronic timer energized by the evaporator thermostat. It starts when the cube size thermostat/control bulb (pig tail) located on the evaporator serpentine reaches a temperature of approx. -15°C (5°F).

On units 6022 - 7540 - 9040 - 9550 the additional Time (12') of the freezing cycle starts when the cube size thermostat control bulb (pig tail) located on the evaporator coil reaches a temperature of approx. -15°C. Freezing time will range between 20 and 22 minutes in a 21°C ambient temperature, longer if above this temperature and shorter if below. Then the unit goes directly into the Defrost Cycle. The average complete cycle time is between 23 and 25 minutes.

F. Check, during the first defrost/harvest cycle, that the incoming water flows correctly into the sump reservoir in order to re-fill it and the surplus overflows through the overflow drain tube.

G. Check the texture of ice cubes just released. Right size must have a small depression (about 5-6 mm) in their crown. If not, wait for the second defrost/harvest cycle before performing any adjustment.

H. If required on model 2006, 2508, 3008, 3015, 4015 and 5022, the length of the freezing cycle can be modified by turning the knob of the cube size control or evaporator thermostat located in front of the machine until the desired size is achieved.





If it is thought necessary, the above situations can be rectified by, in the first case, turning the control knob (as little or as much as is required) clockwise and, in the second case, turning the knob to the right counterclockwise.

It should, however, be remembered that if the room temperature returns later to the 20 ÷ 30°C range, the knob indicator must once again be turned to the previous position.

If the ice cubes are shallow and cloudy, it is possible that the ice maker runs short of water during the end of the freezing cycle or, the quality of the supplied water requires the use of an appropriate water filter or conditioner.

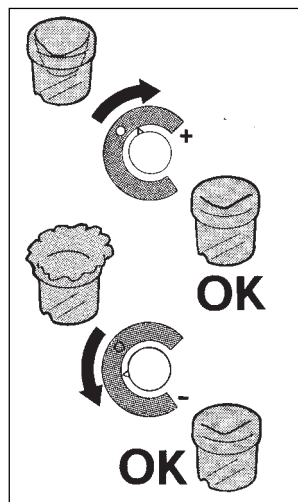


I. At the end of the defrost or harvest cycle hold a handful of ice cubes against the bulb of the storage bin thermostat; the icemaker switch OFF in about one-two minutes.

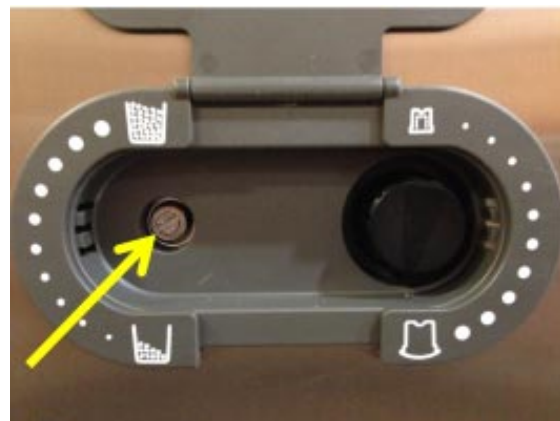
Take out the ice from the storage bin thermostat. The ice maker should restart automatically in three-four minutes.

NOTE. The bin thermostat is factory set at 1°C (35°F) OUT and 4°C (39°F) IN.

- If the temperature of the room in which the machine is placed is below 20°C, the cubes will tend to be partly hollowed out (see fig. on right).



- If, on the other hand, the room temperature is above 30°C the cubes produced will have a jagged rim of ice around the crown.



K. Re-fit the unit front panel then instruct the owner/user on the general operation of the ice machine and about the cleaning and care it requires.

PRINCIPLE OF OPERATION

How it works

In the ice makers the water used to make the ice is kept constantly in circulation by a water pump which primes it to the spray system nozzles from where it is diverted into the inverted cup molds of the evaporator (Fig. A).

A small quantity of the sprayed water freezes into ice; the rest of it cascades by gravity into the sump assembly below for recirculation.

FREEZING CYCLE (Fig. B)

The hot gas refrigerant discharged out from the compressor reaches the condenser where, being cooled down, condenses into liquid. Flowing into the liquid line it passes through the drier/filter, then it goes all the way through the capillary tube where it loses its pressure.

Next the refrigerant enters into the evaporator serpentine (which has a larger diameter than the capillary tube) and starts to boil off; this reaction is emphasized by the heat transferred by the sprayed water.

The refrigerant then increases in volume and changes entirely into vapor.

The vapor refrigerant then passes through the suction accumulator (used to prevent that any small amount of liquid refrigerant may reach the compressor) and through the suction line. In both the accumulator and the suction line it exchanges heat with the refrigerant flowing into the capillary tube (warmer), before to be sucked in the compressor and to be recirculated as hot compressed refrigerant gas.

The freezing cycle on 2006, 2508, 3008, 3015, 4015 and 5022 is controlled by only the evaporator thermostat which has its bulb in contact with the evaporator serpentine while in 6022, 7540, 9040 and 9550 there is a second phase controlled by an electronic timer.

The electrical components in operation during the freezing cycle are:

COMPRESSOR

WATER PUMP

FAN MOTOR (in air cooled version)

On 2006 and 2508 air cooled versions (operating with R134a) the refrigerant head pressure is gradually reduced from the value of approx. 11 bar at beginning of the freezing cycle with the machine at 21°C ambient temperature, to a minimum value of approx. 7 bar just at the end of the freezing cycle, few seconds before the starting of the defrost cycle.

On 3008, 3015, 4015, and 5022 air cooled version operating with R404A, the head pressure drops from 19,5 bar to 13 bar while on the other bigger models (6022, 7540, 9040 and 9550) the refrigerant head pressure is kept between two present values (17-13,5 bar) by means of a fan pressure control.

The declining of the pressure is relied to the reduction of the evaporating pressure, caused by the progressive growth of the ice thickness into the inverted cup molds and to the flow of air drawn through the air cooled condenser by the fan motor. The above values are in relation as well to the ambient temperature of the ice maker site and they are subject to rise with the increase of this temperature.

On 2006 and 2508 water cooled versions (operating with R134a) the refrigerant head pressure ranges between 8,5 and 10 bar being controlled by an automatic hi pressure control that energizes a water solenoid valve located on the water line to the condenser, which rates the cooling water to the condenser while on models 3008, 3015, 4015, 5022 and 6022 water cooled version operating with R404A, the head pressure ranges between 12 and 17 bar.

On 7540, 9040 and 9550 water cooled version operating with R404A, the head pressure is constant at 15 bar controlled by a water regulating valve.

At starting of the freezing cycle the refrigerant suction or lo-pressure lowers rapidly to 1,0 bar (on 2006 and 2508) and to 2,5-3,0 bar on all other models then it declines gradually – in relation with the growing of the ice thickness – to reach, at the end of the cycle, approx. 0-0,1 bar on 2006 and 2508 and 1,4-1,5 bar in the other models with the cubes fully formed in the cup molds.

DEFROST OR HARVEST CYCLE (Fig. D)

On 2006, 2508, 3008, 3015, 4015 and 5022 the temperature of the evaporator thermostat, in contact with the evaporator serpentine, drops to a pre-set value it changes its electrical contacts energizing the herebelow shown components. (On 6022, 7540, 9040 and 9550 when the electronic timer completes the second portion of the freezing it changes its electrical contacts energizing the same components).

COMPRESSOR

WATER INLET SOLENOID VALVE

HOT GAS SOLENOID VALVE

The incoming water, passing through the water inlet valve and the flow control, runs over the evaporator platen and then flows by gravity through the dribbler holes down into the sump/reservoir (Fig. C).

The water filling the sump/reservoir forces part of the surplus water from the previous freezing cycle to go out to the waste through the overflow pipe. This overflow limits the level of the sump water which will be used to produce the next batch of ice cubes.

Meanwhile the refrigerant, as hot gas discharged from the compressor, flows through the hot gas valve directly into the evaporator serpentine by-passing the condenser.

The hot gas circulating into the serpentine of the evaporator warms up the copper molds causing the harvest of the ice cubes. The ice cubes, released from the cups, drop by gravity onto a slanted cube chute, then through a curtained opening they fall into the storage bin.

On 2006, 2508, 3008, 3015, 4015 and 5022 when the temperature of the evaporator thermostat bulb reaches the value of +3-4°C their electrical contacts move back to the previous position activating a new freezing cycle and deenergizing both the hot gas and the water inlet valves (closed). On 6022, 7540, 9040 and 9550 as soon as the electronic timer completes the defrost cycle, it activates a new freezing cycle deenergizing both the hot gas and the water inlet valves (closed).

NOTE. On models 2006, 2508, 3008, 3015, 4015 and 5022 the length of the defrost/harvest cycle (not adjustable) changes according to the ambient temperature (shorter for hi ambient temperature and longer for low one).

COMPONENTS DESCRIPTION

A. WATER PUMP

The water pump operates continually throughout the freezing cycle. The pump primes the water from the sump to the spray system and through the spray nozzles sprays it into the inverted cup molds to be frozen into crystal clear ice cubes.

B. WATER INLET SOLENOID VALVE - 3/4 MALE FITTING

The water inlet solenoid valve is energized only during the defrost cycle.

When energized it allows a metered amount of incoming water to flow over the evaporator cavity to assist the hot gas in defrosting the ice cubes. The water running over the evaporator cavity drops by gravity, through the dribbler holes of the platen, into the sump reservoir.

On 2006, 2508, 3008, 3015, 4015, 5022 and 6022 water cooled versions the water inlet solenoid valve has one inlet and two outlets with two separate solenoids energized the first (ice production) by the contacts 3-2 of the evaporator thermostat and the second (water cooled condenser) by a specific hi pressure control.

C. HOT GAS SOLENOID VALVE

The hot gas solenoid valve consists basically in two parts: the valve body and the valve coil.

During the defrost cycle the hot gas valve coil is activated so to attract the hot gas valve piston in order to give way to the hot gas discharged from compressor to flow directly into the evaporator serpentine to defrost the formed ice cubes.

D. BIN THERMOSTAT

The bin thermostat control body is located in the front of control box behind the front panel.

The thermostat sensing tube is located into a bulb holder on the side wall of the ice storage bin where it automatically shuts the icemaker OFF

when in contact with the ice and re-starts the icemaker when the ice is removed. Factory settings are 1°C (35°F) OUT and 4°C (39°F) IN.

E. CUBE SIZE CONTROL (EVAPORATOR THERMOSTAT)

2006 - 2508 - 3008 - 3015 - 4015 - 5022

The cube size control (evaporator thermostat) body is located in the control box behind the front panel; it's basically a reverse acting temperature control which closes the contacts 3-2 when its temperature decreases and closes the opposite contacts 3-4 when the temperature rises.

The thermostat sensing bulb is located into a plastic tube (bulb holder) secured by two clips directly to the evaporator serpentine.

This control determines the length of the freezing cycle and correspondingly the size of the cubes. A lower setting will produce a larger cube (oversize) while a higher setting a smaller cube (shallow size).

When closed on contacts 3-2 it activates the defrost or harvest cycle components.

The cube size control is set up in the factory (knob in the black dot position) and doesn't require any adjustment when the ambient temperature remains between 20 and 30°C (70 and 90°F).

6022 - 7540 - 9040 - 9550

The evaporator thermostat with its sensing bulb intimately in contact with the refrigerant outlet tube from the evaporator senses the evaporating refrigerant temperature (which declines in the course of the freezing cycle) and when this one reaches the pre-set value, it switches its contacts from 3-4 to 3-2 to activate the finishing cycle (2nd phase) through an electronic timer.

F. FAN MOTOR (Air cooled version)

The fan motor on 2006, 2508, 3008, 3015, 4015, 5022 is electrically connected in parallel to the water pump and it operates continuously only during the freezing cycle keeping the proper head pressure by circulating air through the condenser fins.

On 6022, 7540, 9040 and 9550 the operation of fan motor is controlled by a fan pressure control adjusted at preset values.

G. COMPRESSOR

The hermetic compressor is the heart of the refrigerant system and it is used to circulate and retrieve the refrigerant throughout the entire system. It compresses the low pressure refrigerant vapor causing its temperature to rise and become high pressure hot vapor (hot gas) which is then released through the discharge valve.

H. WATER SPRAY SYSTEM

Through its nozzles it sprays the water in each individual cup to be frozen into ice.

I. SAFETY HI TEMPERATURE THERMOSTAT

Located in the control box it is a manual reset switch that trips OFF the operation of the machine when its bulb (located on the liquid line just before the drier) reaches the temperature of 70°C (158°F).

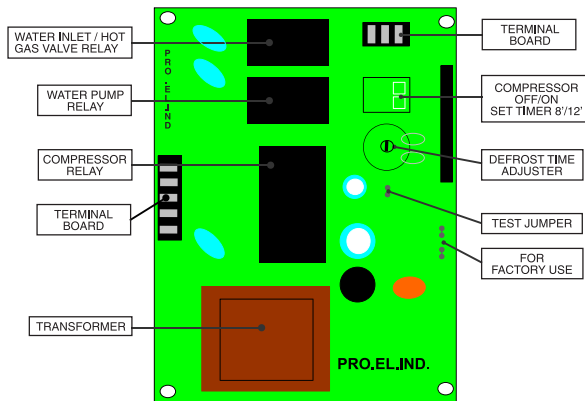
**J. CLEANING SWITCH
(only 2006 - 2508 - 3008 - 3015 - 4015 - 5022)**

Located on the bottom left side of the control box is used to energize the water inlet and the hot gas valves so to charge the water into the sump tank of the machine.

K. HI PRESSURE CONTROL (Water cooled version)

Used only on 2006 - 2508 - 3008 - 3015 - 4015 - 5022 - 6022 water cooled versions it operates to keep between two preset values the hi-side or discharge pressure of the refrigerant system by energizing the coil of the water inlet solenoid valve that control the cooling water flow to the condenser.

**L. ELECTRONIC TIMER
(6022 - 7540 - 9040 - 9550)**



Equipped with a Two Keys Dip Switch and one Potentiometer, it manage the length of second fase of the freezing cycle and the entire defrost/ harvest cycle with a factory pre-set times . The first key (1) replaces the "Compressor Switch" used on the previous electro-mechanical version; factory setting is ON position to energize the compressor during the standard operation of the ice machine. The same key (1) is switched to OFF position when the cleaning cycle is required keeping the water pump only in operation. The second key (2) allows the setting of the timed portion (Ta) of the freezing cycle according to the model of the ice machine.

Dip Switch factory setting combinations

	N. 1	N. 2
6022	ON	ON
7540 - 9040	ON	ON
9550	ON	ON

Resuming Chart with Keys 1 & 2 functions

	N. 1	N. 2
ON	Standard Setting Compressor ON	Ta = 12'
OFF	Cleaning Mode Compressor OFF	Ta = 8'

The potentiometer is used to adjust the defrost time and it is set directly from the factory according to the model of the ice machine. It can be adjustable from a minimum defrost time of 60" (turn clockwise), to a maximum of 180" (turn counterclockwise).

**M. MASTER SWITCH
(only 6022 - 7540 - 9040 - 9550)**

Fitted in the control box the master switch has to be used to start-up and to stop the ice maker operation.

**N. COMPRESSOR SWITCH
(only 6022 - 7540 - 9040 - 9550)**

Located in the control box is used to de-energized the compressor during the cleaning.

**O. FAN PRESSURE CONTROL
(only 6022 - 7540 - 9040 - 9550)**

Used on air cooled ice makers to maintain the head pressure within the preset values.

**P. WATER REGULATING VALVE
(only 7540 - 9040 - 9550 Water cooled version only)**

This valve controls the head pressure in the refrigerant system by regulating the flow of water going to the condenser. As pressure increases, the water regulating valve opens to increase the flow of cooling water.

MAINTENANCE AND CLEANING INSTRUCTIONS

CLEANING INSTRUCTIONS OF WATER SYSTEM

1. Remove the front and top panels to gain access either to the control box and to the evaporator.
2. Make sure that all ice cubes have been released from their cups, then switch OFF the machine at main power switch, on models 2006 2508 - 3008 - 3015 - 4015 - 5022, and on master switch on models 6022 - 7540 - 9040 - 9550.
3. Scoop out all the ice cubes stored into the bin in order to prevent them from being contaminated with the cleaning solution.
4. Remove the plastic cup located on the bottom of sump/freezing chamber to drain out all water and scale deposits.
5. Remove the curtain then, using a bottle, pour fresh water into the bottom of the sump/freezing chamber to clean out any possible scale deposit.
6. Install again the curtain as well as the bottom plastic cup.
7. Prepare the cleaning solution by diluting in a plastic container one or two liters of warm water (45°-50°C) with a 0,1-0,2 liters of Ice Machine Cleaner (on 2006-2508 - 3008 - 3015 - 4015 - 5022 - 6022) and 0,2-0,3 liters on 7540 - 9040 - 9550.

WARNING. The Ice Machine Cleaner contains Phosphoric and Hydroxyacetic acids.

These compounds are corrosive and may cause burns if swallowed, DO NOT induce vomiting. Give large amounts of water or milk. Call Physician immediately. In case of external contact flush with water. KEEP OUT OF THE REACH OF CHILDREN.

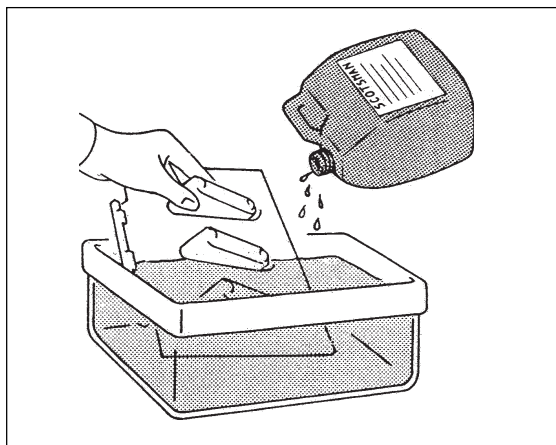
8. Remove the evaporator cover then slowly pour onto the evaporator platen the cleaning solution. With the help of a brush dissolve the most resistant and remote scale deposits in the platen.

2006 - 2508 - 3008 - 3015 - 4015 - 5022

1. Switch ON again the machine at main power switch to start the icemaking process. Allow the ice maker to operate for about 20 minutes. Then turn the cleaning toggle switch to the "cleaning" position (II) till the release of the ice cubes from their cups then place it again to "operating" position (I).

NOTE. *The amount of Cleaner and the time needed for the cleaning of water system depends of the water conditions.*

2. Turn the cube size control knob counterclockwise to the OFF position to shut-off the ice maker then flush out the cleaning solution from the sump reservoir then pour onto the evaporator cavity two or three liters of clean potable water to rinse the mold cups and the platen.
3. If necessary remove the water spray platen to clean it separately.



4. Turn again the cube size control knob to the normal operating position (black dot). The water pump is again in operation to circulate the water in order to rinse the entire water system. Do this operation twice so to be sure no more traces of descaling solution remains into the sump. Pour on the upper side of the evaporator platen fresh water with a capfull of disinfectant solution then turn again the machine in normal operating mode so to sanitize all the water system for approx. 10 minutes.

NOTE. *Do not mix descaling with disinfectant solution to avoid the generation of a very aggressive acid.*

5. Flush out the disinfectant solution from the sump reservoir then with the switch in "cleaning" position (II), turn the cube size control knob to the normal operating position. When water starts overflowing through the drain line, set the switch to "operation" position (I). The unit is now ready to resume normal operation.

6022 - 7540 - 9040 - 9550

1. Move the first key of dip switch to OFF position and set the master switch of the unit to ON position. Doing so, the only water pump will be in operation for the cleaning cycle.
2. Allow the system to operate for about 20 minutes. No ice will be produced because the compressor is not in operation.
3. At the end of this period set the master switch to the OFF position to shut off the icemaker.
4. Remove the plastic plug located on the bottom of the sump/freezing chamber to drain out all the cleaning solution and most of the mineral concentration through the drain tube and then replace it in its seat.
5. Pour onto the evaporator cavity two or three liters of clean potable water to rinse the mold cups and the platen.
6. If necessary remove the water spray platen to clean it separately.
7. Set again the master switch in ON position. The water pump is again in operation to circulate the water in order to rinse the entire water system.
8. Repeat steps 4,5 and 7 twice then pour on the upper side of the evaporator platen fresh water with a capfull of disinfectant solution then put again the master switch in ON position so to sanitize all the water system for approx. 10 minutes.

NOTE. *Do not mix descaling with disinfectant solution to avoid the generation of a very aggressive acid.*

9. Flush out the disinfectant solution from the sump reservoir. Move the first key of dip switch to ON position , then set the master switch of the unit to ON position. Let the unit run normally through the harvest/ defrost cycle for re-fill the sump reservoir. The unit is now ready to resume the normal operation.
10. Place again the evaporator cover and the unit service panels.
11. At completion of the freezing and harvest cycle make sure of proper texture and clearness of the ice cubes and that, they do not have any acid taste.

ATTENTION. *In case the ice cubes are cloudy-white and have an acid taste, melt them immediately by pouring on them some warm water. This to prevent that somebody could use them.*

12. Wipe clean and rinse the inner surfaces of the storage bin.

REMEMBER. *To prevent the accumulation of undesirable bacteria it is necessary to sanitize the interior of the storage bin with an anti-algae disinfectant solution every week.*

INFORMAZIONI GENERALI ED INSTALLAZIONE

A. INTRODUZIONE

I fabbricatori di ghiaccio in cubetti sono stati progettati e costruiti con un elevato standard qualitativo.

Essi vengono collaudati interamente per diverse ore e sono in grado di assicurare il massimo rendimento relativamente ad ogni particolare uso e situazione.

NOTA. *Per non compromettere o ridurre le caratteristiche di qualità e sicurezza di questo fabbricatore di ghiaccio si raccomanda, nell'effettuare l'installazione e le operazioni periodiche di manutenzione, di attenersi scrupolosamente a quanto prescritto in questo manuale.*

B. DISIMBALLAGGIO ED ISPEZIONE

1. Ispezionare visivamente l'imballo esterno in cartone e il basamento in legno usati per la spedizione. Qualsiasi danno evidente sull'imballo esterno deve essere riferito allo spedizioniere; in questo caso, procedere ad ispezionare l'apparecchio con il rappresentante dello spedizioniere presente.

2. a) Tagliare e rimuovere i nastri in plastica che mantengono sigillato l'imballo di cartone.

b) Aprire la parte superiore dell'imballo e togliere i fogli e gli angolari protettivi di polistirolo.

c) Sollevare l'intero cartone sfilandolo dall'apparecchio.

3. Togliere il pannello frontale ed il pannello posteriore dell'apparecchio ed ispezionare lo stesso onde accertare se abbia subito danni. Notificare allo spedizioniere eventuali danni subiti come riportato al punto 1.

4. Aprire lo sportello e togliere tutti i supporti interni usati per la spedizione e i nastri adesivi di protezione.



5. Controllare che le tubazioni del circuito refrigerante non tocchino altre tubazioni o superfici, e che il ventilatore giri liberamente.

6. Usando un panno pulito e umido, pulire le pareti interne del contenitore del ghiaccio e le superfici esterne dell'apparecchio.

7. Osservare i dati riportati sulla targhetta fissata alla parte posteriore del telaio vicino ai raccordi idraulici ed elettrici, e verificare che il voltaggio della rete elettrica disponibile corrisponda a quello riportato sulla targhetta dell'apparecchio.

ATTENZIONE. **Un errato voltaggio dell'alimentazione elettrica annullerà automaticamente il vostro diritto alla garanzia.**

8. Compilare la cartolina di garanzia posta all'interno del Manuale d'Uso, segnando sia il modello che il numero di serie dell'apparecchio rilevandolo dalla targhetta fissata al telaio.

Spedire la cartolina debitamente compilata al costruttore.

C. POSIZIONAMENTO E LIVELLAMENTO

ATTENZIONE. **Questo fabbricatore di ghiaccio è stato progettato per essere installato all'interno di locali in cui la temperatura ambiente non scenda mai al di sotto di 10°C né superi i 40°C. Periodi prolungati di funzionamento a temperature al di fuori dei seguenti limiti costituiscono cattivo uso secondo i termini di garanzia e fanno decadere automaticamente il vostro diritto alla garanzia.**

1. Posizionare l'apparecchio nel luogo di installazione definitivo.

I criteri per la sua scelta sono:

a) Minima temperatura ambiente 10°C e massima temperatura ambiente 40°C.

b) Temperature dell'acqua di alimentazione: minima 5°C massima 35°C.

c) Luogo ben aerato per assicurare un efficace ventilazione all'apparecchio e quindi un corretto funzionamento del condensatore.

d) Spazio adeguato per i collegamenti di servizio previsti nella parte posteriore dell'apparecchio. Lasciare almeno 15 cm di spazio attorno all'unità così da permettere una corretta ed efficace circolazione d'aria soprattutto nei modelli raffreddati ad aria.

2. Livellare l'apparecchio in entrambe le direzioni, dall'anteriore alla posteriore e da sinistra a destra mediante i piedini.

NOTA. *Questo fabbricatore di ghiaccio incorpora dei componenti delicati e di massima precisione pertanto bisogna evitarli urti e scossoni violenti.*

D. COLLEGAMENTI ELETTRICI

Osservare la targhetta dell'apparecchio così da determinare, in funzione dell'ampereaggio indicato, tipo e sezione del cavo elettrico da usarsi. Tutti gli apparecchi sono muniti di un cavo di alimentazione elettrica per cui si richiede un collegamento dello stesso ad una linea elettrica provvista di **cavo di messa a terra** e che faccia capo ad un proprio interruttore magneto-termico munito di fusibili adeguati, come indicato nella targhetta di ogni singolo apparecchio. La variazione massima di voltaggio consentita non deve eccedere il 10% del valore di targa o essere inferiore al 10% dello stesso. Un basso voltaggio può causare un funzionamento anormale e può essere la causa di seri danni alle protezioni ed agli avvolgimenti elettrici.

NOTA. *Tutti i collegamenti esterni devono essere fatti a regola d'arte in conformità con quanto stabilito dalle norme locali da parte di personale qualificato.*

Prima di collegare il fabbricatore di ghiaccio alla linea elettrica accertarsi ancora una volta che il voltaggio dell'apparecchio, specificato sulla targhetta, corrisponda al voltaggio misurato.

E. ALIMENTAZIONE IDRAULICA E SCARICO

Premessa

Nella scelta dell'alimentazione idraulica al fabbricatore di ghiaccio a cubetti si deve tenere presente:

- a) Lunghezza della tubazione
- b) Limpidezza e purezza dell'acqua
- c) Adeguata pressione dell'acqua di alimentazione

Una bassa pressione dell'acqua di alimentazione, inferiore ad 1 bar, può causare dei disturbi di funzionamento dell'apparecchio. L'uso di acque contenenti una quantità eccessiva di minerali darà luogo ad una produzione di cubetti di ghiaccio opachi e ad una notevole incrostazione delle parti interne del circuito idraulico.

Alimentazione idraulica

Collegare il raccordo da 3/4 di pollice maschio della valvola solenoide di ingresso acqua alla linea di alimentazione idrica utilizzando il tubo in plastica rinforzato del tipo **alimentare atossico** fornito.

La linea di alimentazione idraulica deve essere munita di un rubinetto di intercettazione posto in un luogo accessibile nei pressi dell'apparecchio.

Alimentazione idraulica - Modelli raffreddati ad acqua

Nei modelli raffreddati ad acqua la valvola di ingresso acqua è dotata di due raccordi di uscita uno collegato al condensatore, il secondo per la produzione del ghiaccio.

Scarico acqua

Usare, come tubo di scarico, il tubo in plastica rigida spiralato avente diametro interno di 18 mm. fornito in dotazione

Lo scarico dell'acqua in eccesso avviene per gravità; per avere un regolare deflusso è indispensabile che lo scarico disponga di una presa d'aria e vada in un sifone aperto.

Scarico acqua - Modelli raffreddati ad acqua

Lo scarico dal condensatore, nei modelli raffreddati ad acqua, è raccordato internamente allo scarico dell'apparecchio.

Prestare particolare attenzione a raccordare correttamente lo scarico dell'apparecchio al sifone aperto del locale in quanto l'acqua scaricata dal condensatore, qualora lo scarico non fosse correttamente realizzato (pendenza inadeguata, strozzature, ecc.) potrebbe ritornare all'interno del contenitore del ghiaccio.

NOTA. *Tutti i collegamenti idraulici devono essere eseguiti a regola d'arte in conformità con le norme locali. In alcuni casi è richiesto l'intervento di un idraulico patentato.*

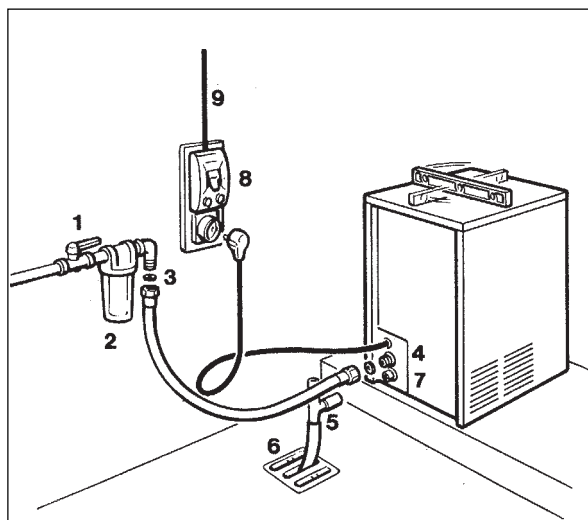
F. CONTROLLO FINALE

1. L'apparecchio è stato installato in un locale dove la temperatura ambiente è di almeno 10°C anche durante i mesi invernali?
2. Ci sono almeno 15 cm di spazio dietro ed ai lati dell'apparecchio onde avere una efficace ventilazione del condensatore?
3. L'apparecchio è ben livellato? (IMPORTANTE)
4. L'apparecchio è stato collegato alla linea di alimentazione elettrica? È stato eseguito il collegamento alle tubazioni dell'acqua di alimentazione e di scarico?
5. È stato controllato il voltaggio della linea di alimentazione elettrica? Corrisponde al voltaggio specificato sulla targhetta dell'apparecchio?
6. È stata controllata la pressione dell'acqua di alimentazione in modo da assicurare all'apparecchio una pressione di ingresso di almeno 1 bar?
7. Controllare tutte le tubazioni del circuito

refrigerante e del circuito idraulico verificando se esistono vibrazioni o sfregamenti. Controllare inoltre che le fascette stringitubo siano ben serrate e che i cavetti elettrici siano fermamente collegati.

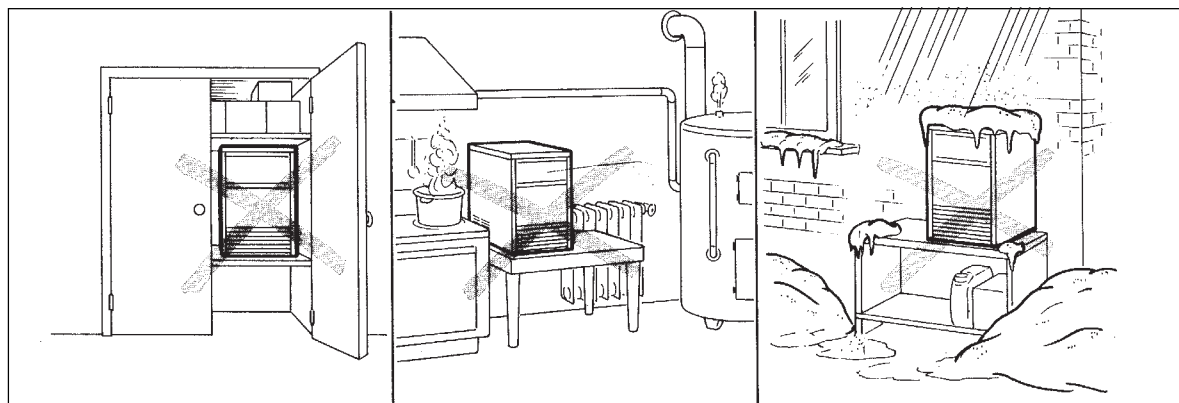
8. Sono stati controllati i bulloni di ancoraggio del compressore? Permettono a questi di oscillare sui propri supporti?
9. Le pareti interne del contenitore del ghiaccio e le pareti esterne dell'apparecchio sono state pulite?
10. È stato consegnato il libretto di istruzione e sono state date al proprietario le istruzioni necessarie per il funzionamento e la manutenzione periodica dell'apparecchio?
11. La cartolina di garanzia è stata compilata? Controllare il numero di serie ed il modello sulla targhetta dell'apparecchio, quindi spedirla al costruttore.
12. È stato dato al proprietario il nome ed il numero telefonico del servizio di assistenza tecnica autorizzato della zona?

G. SCHEMA DI INSTALLAZIONE



1. Rubinetto di intercettazione
2. Filtro acqua
3. Linea di alimentazione idraulica
4. Raccordo da 3/4 di pollice
5. Scarico ventilato
6. Scarico acqua con sifone ventilato
7. Raccordo di scarico
8. Interruttore principale
9. Linea elettrica

ATTENZIONE. Questo fabbricante di ghiaccio non è stato progettato per essere installato all'aperto o per funzionare a delle temperature ambientali inferiori a 10°C o superiori a 40°C. Lo stesso vale per la temperatura dell'acqua di alimentazione che non deve essere inferiore a 5°C o superiore a 35°C.



ISTRUZIONI DI FUNZIONAMENTO

AVVIAMENTO

Dopo aver correttamente installato l'apparecchio ed averlo collegato alla rete elettrica ed idraulica, seguire la seguente procedura per l'avviamento.

2006 - 2508 - 3008 - 3015 - 4015 - 5022

1. Togliere dal fabbricatore di ghiaccio il pannello frontale e localizzare l'interruttore di lavaggio.
2. Spostare l'interruttore di lavaggio sulla posizione "Lava - II". Questo chiude il circuito elettrico della valvola di ingresso dell'acqua e della valvola gas caldo.
3. Spostare, a questo punto, l'interruttore posto sulla linea di alimentazione elettrica sulla posizione ON (acceso). L'apparecchio partirà nella fase di caricamento acqua con i seguenti componenti in funzione:

VALVOLA INGRESSO ACQUA

VALVOLA GAS CALDO

Sono in funzione anche la Pompa ed il Motoventilatore.

4. Lasciare funzionare la macchina nella fase di caricamento acqua per circa tre - quattro minuti fino ad avere dell'acqua allo scarico dell'apparecchio. Quindi spostare l'interruttore di lavaggio sulla posizione "Funziona - I".

6022 - 7540 - 9040 - 9550

1. Mettere in funzione l'apparecchio tramite l'interruttore principale (posizione ON). Il fabbricatore partirà automaticamente dalla fase di sbrinamento con i seguenti componenti alimentati:

VALVOLA DI INGRESSO ACQUA

VALVOLA SOLENOIDE GAS CALDO

COMPRESSORE

TIMER ELETTRONICO

NOTA. Durante la fase di sbrinamento l'acqua entra nell'apparecchio, attraverso la valvola solenoide di ingresso dell'acqua, eccitata durante questa parte del ciclo, e attraverso l'apposita tubazione è indirizzata sulla parte superiore dell'evaporatore. Dopo aver coperto l'intera superficie di plastica dell'evaporatore, l'acqua viene scaricata, attraverso tre fori di drenaggio, nella vaschetta di raccolta, riempiendola.

CONTROLLI DURANTE FUNZIONAMENTO

A. L'apparecchio inizia così il suo primo ciclo di congelamento con i seguenti componenti in funzione:

COMPRESSORE

POMPA

MOTOVENTILATORE per i modelli raffreddati ad aria.

B. Osservare attraverso l'apertura di scarico dei cubetti che la piastra spruzzante sia correttamente posizionata e che l'acqua venga uniformemente spruzzata all'interno dei bicchierini rovesciati dell'evaporatore. Verificare che la tendina di plastica sia posizionata correttamente impedendo la fuoriuscita dell'acqua attraverso le proprie lamelle.

C. Il processo di fabbricazione del ghiaccio ha così inizio con l'acqua che viene continuamente spruzzata all'interno dei bicchierini rovesciati e con la temperatura dell'evaporatore che gradualmente si abbassa.

D. Nei modelli 2006 - 2508 - 3008 - 3015 - 4015 - 5022 quando la temperatura dell'evaporatore raggiunge un valore predeterminato il termostato evaporatore commuta i suoi contatti dando luogo alla fine del ciclo di congelamento ed all'inizio del ciclo di scongelamento.

E. Nei modelli 6022 - 7540 - 9040 - 9550 all'inizio del ciclo di congelamento il termostato evaporatore è la "mente" che regola la durata della prima fase del ciclo di congelamento. Come si raggiunge la sua temperatura di intervento, questi inverte i suoi contatti chiudendo il circuito al timer elettronico.

Il ciclo di congelamento prosegue per altri 12 minuti finché il timer elettronico completa il ciclo.

Trascorso il tempo aggiuntivo la macchina entrerà automaticamente nel ciclo di sbrinamento.

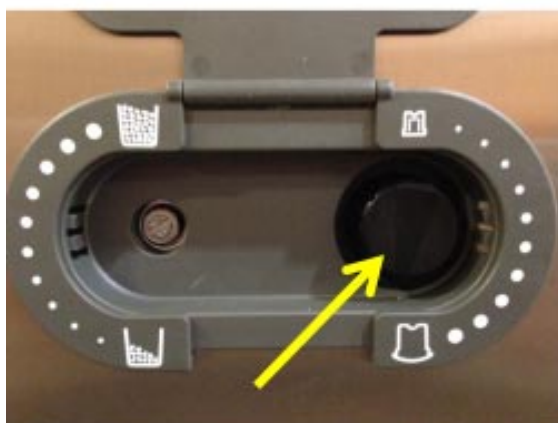
F. Verificare che durante la fase di scongelamento l'acqua di alimentazione vada a reintegrare quella precedentemente usata per la produzione dei cubetti e che quella eccedente trabocchi nel tubo di troppo pieno e fluisca nella tubazione di scarico dell'apparecchio.

G. Osservare i cubetti di ghiaccio prodotti. Questi devono essere della giusta dimensione con una cavità nella parte della corona di circa 4-5 mm.

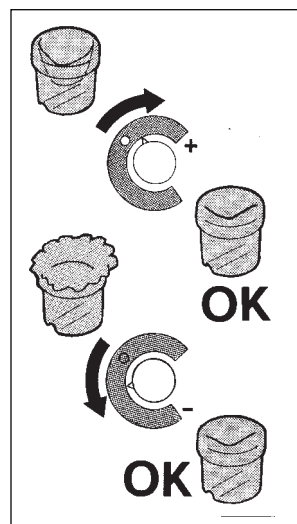
Nel caso contrario, attendere il secondo ciclo di produzione del ghiaccio, prima di effettuare qualsiasi regolazione.

H. Se necessario, nei modelli 2006, 2508, 3008, 3015, 4015 e 5022 la durata del ciclo di

congelamento può essere modificata ruotando la manopola del termostato evaporatore posta nella scatola elettrica fino al raggiungimento della dimensione ottimale.



- Se la temperatura del locale in cui è posto l'apparecchio è inferiore a 20°C, i cubetti prodotti possono avere un incavo pronunciato al loro intervento (Vedi figura a lato).



- Se invece la temperatura ambiente sarà superiore a 30°C i cubetti tenderanno ad avere delle frastagliature di ghiaccio attorno alla corona.

Chi lo ritenesse necessario, può migliorare le sopra illustrate situazioni di cubetti ruotando nel primo caso in senso orario il volantino di comando e, nel secondo caso, in senso antiorario. Occorre però tener presente che, qualora la temperatura ambiente rientrasse entro i 20 ÷ 30°C, l'indicatore del volantino andrà riportato in corrispondenza del punto di riferimento (Vedi illustrazione sotto). Controllare l'aspetto dei cubetti di ghiaccio prodotti: cubetti aventi delle corrette dimensioni esterne ma particolarmente opachi, indicano che il fabbricatore di ghiaccio ha avuto una mancanza d'acqua durante la fase finale del ciclo di congelamento o che, l'acqua usata per la produzione del ghiaccio è di pessima qualità e quindi si rende necessario l'uso di filtri adeguati o di un condizionatore d'acqua.

I. Durante il ciclo di sbrinamento, coprire con una manciata di cubetti il bulbo sensibile del termostato contenitore e verificare lo spegnimento dell'apparecchio dopo circa due o tre minuti. Togliere la manciata di cubetti dal bulbo sensibile e controllare che l'apparecchio si rimetta in moto in circa tre o quattro minuti.

NOTA. Il termostato contenitore è tarato per spegnere la macchina a +1°C e riaccenderla a +4°C.

K. Rimontare i pannelli precedentemente rimossi quindi istruire il proprietario sul funzionamento del fabbricatore di ghiaccio così come sulle operazioni di pulizia ed igienizzazione del medesimo.



PRINCIPIO DI FUNZIONAMENTO

Nei fabbricatori di ghiaccio l'acqua usata per la produzione del ghiaccio è tenuta costantemente in movimento da una pompa elettrica che attraverso un sistema spruzzante dirige l'acqua a pressione moderata all'interno dei bicchierini rovesciati dell'evaporatore (Fig. A).

Qui una parte dell'acqua spruzzata ghiaccia all'istante; il rimanente di essa ricade nel sottostante serbatoio di recupero per essere ricircolata.

CICLO DI CONGELAMENTO (Fig. B)

Il refrigerante allo stato gassoso ed ad alta temperatura viene pompato dal compressore e, passando poi attraverso il condensatore, si trasforma in refrigerante allo stato liquido.

La linea del liquido permette al refrigerante di fluire dal condensatore al tubo capillare attraverso il filtro deumidificatore. Durante il passaggio attraverso il tubo capillare il refrigerante allo stato liquido perde gradualmente parte della sua pressione e conseguentemente parte della sua temperatura. Successivamente raggiunge ed entra nella serpentina dell'evaporatore.

L'acqua spruzzata nei bicchierini rovesciati dell'evaporatore cede calore al refrigerante circolante all'interno della serpentina, causando l'evaporazione, ed il conseguente cambiamento del suo stato fisico, cioè da liquido diviene vapore. Il refrigerante allo stato vaporoso dopo essere passato attraverso l'accumulatore viene aspirato nuovamente nel compressore tramite la linea di aspirazione.

Nei modelli 2006, 2508, 3008, 3015, 4015 e 5022 il ciclo di congelamento è regolato solo da un controllo della temperatura (termostato evaporatore) che determina la durata del ciclo e di conseguenza la dimensione dei cubetti; nei modelli 6022, 7540, 9040 e 9550 esiste una seconda fase del ciclo di congelamento controllato da un timer. I componenti in funzione durante il ciclo di congelamento sono:

IL COMPRESSORE

LA POMPA

IL VENTILATORE (nei modelli raffreddati ad aria)

Nei modelli 2006 e 2508 raffreddati ad aria (il solo funzionante con il refrigerante R134a) la pressione di mandata del sistema frigorifero (alta pressione) cala progressivamente da un valore di circa 11 bar (con temperatura ambiente di 21°C), che si riscontra all'inizio del ciclo di congelamento, fino ad un valore minimo di 7 bar proprio alla fine del ciclo di congelamento.

Nei modelli 3008, 3015, 4015 e 5022 a R404a raffreddati ad aria la pressione di mandata cala progressivamente da un valore di circa 19,5 bar (con temperatura ambiente di 21°C), che si riscontra all'inizio del ciclo di congelamento, fino ad un valore minimo di 13 bar proprio alla fine del ciclo di congelamento.

Nei modelli 6022, 7540, 9040 e 9550 la pressione di mandata è controllata da un pressostato ventilatore tra 17-13,5 bar. Questi valori sono influenzati dalla temperatura dell'ambiente in cui è installato l'apparecchio e aumentano proporzionalmente con l'aumentare di quest'ultima.

Nei modelli 2006 e 2508 raffreddati ad acqua (R134a) le pressioni di mandata del sistema refrigerante sono mantenute tra due valori prestabiliti (8.5-10 bar) tramite l'azione di un pressostato automatico che comanda elettricamente una valvola solenoide di ingresso acqua sulla linea di alimentazione al condensatore.

Nei modelli 3008, 3015, 4015, 5022 e 6022 raffreddati ad acqua (R404a) le pressioni di mandata del sistema refrigerante sono mantenute tra due valori prestabiliti (12-17 bar) tramite l'azione di un pressostato automatico che comanda elettricamente una valvola solenoide di ingresso acqua posta sulla linea di alimentazione al condensatore.

Nei modelli 7540, 9040 e 9550 raffreddati ad acqua la pressione di mandata è mantenuta a **15 bar** tramite l'ausilio di una valvola pressostatica. Con apparecchi installati in condizioni normali (21°C ambiente) la pressione di aspirazione o bassa pressione scende rapidamente a 1-0,9 bar (2006 e 2508) e a 2,5-3 bar in tutti gli altri modelli all'inizio del ciclo di congelamento, cioè quando il cubetto di ghiaccio inizia a formarsi, declinando lentamente a circa 0-0,1 bar (2006 e 2508) e 1,4-1,5 bar allorché il cubetto di ghiaccio è completamente formato.

La durata del ciclo di congelamento varia tra i 20 e 22 minuti.

CICLO DI SCONGELAMENTO O SBRINAMENTO (Fig. D)

Nei modelli 2006, 2508, 3008, 3015, 4015 e 5022 al momento in cui il termostato evaporatore sente la temperatura corrispondente ai cubetti di ghiaccio di dimensione piena, i contatti dello stesso cambiano posizione attivando il ciclo di sbrinamento.

Nei modelli 6022, 7540, 9040 e 9550 come il timer completa la seconda parte del ciclo di congelamento avrà inizio il ciclo di sbrinamento. I componenti in funzione sono:

COMPRESSORE

VALVOLA DI INGRESSO ACQUA

VALVOLA DEL GAS CALDO

L'acqua in immissione passa attraverso la valvola solenoide di ingresso ed il controllo di flusso che è posto all'interno della medesima, arriva sulla parte superiore dell'evaporatore da dove cola, attraverso i fori di drenaggio, nel sottostante serbatoio di pescaggio della pompa. Il livello massimo dell'acqua nel serbatoio è limitato da un tubo di troppo pieno che ha la funzione di indirizzare verso lo scarico l'acqua in eccesso (Fig. C). Il refrigerante allo stato gassoso, pompato dal compressore, viene ora dirottato dalla valvola del gas caldo aperta direttamente alla serpentina dell'evaporatore, seguendo il percorso più diretto cioè, non passando attraverso il condensatore.

Il gas caldo circolante all'interno della serpentina dell'evaporatore, fa aumentare la temperatura dei bicchierini causando quindi lo stacco dai medesimi dei cubetti di ghiaccio.

I cubetti che si staccano cadono sopra un piano inclinato da dove scivolano attraverso l'apertura con tendina a lamelle, per cadere all'interno del contenitore del ghiaccio.

Grazie al fluire del gas caldo nella serpentina dell'evaporatore, la temperatura dello stesso sale e conseguentemente sale anche la temperatura del bulbo sensibile del termostato evaporatore il quale cambia i suoi contatti e, di conseguenza nei modelli 2006, 2508, 3008, 3015, 4015 e 5022

disattiverà la bobina della valvola gas caldo e della valvola di ingresso acqua ed attiverà la pompa di circolazione dell'acqua e il ventilatore iniziando così un nuovo ciclo di congelamento. Nei modelli 6022, 7540, 9040 e 9550 tali contatti attiveranno il timer utile al completamento del ciclo di sbrinamento dopodiché avrà inizio un nuovo ciclo di congelamento.

NOTA. *Nei modelli 2006, 2508, 3008, 3015, 4015 e 5022 la durata della fase di sbrinamento (non regolabile) varia in funzione della temperatura ambiente (più lunga per ambienti freddi, più corta per ambienti caldi).*

DESCRIZIONE DEI COMPONENTI

A. POMPA

La pompa opera in continuazione soltanto durante il ciclo di congelamento dirigendo l'acqua verso la piastra spruzzante.

Dalla piastra spruzzante l'acqua, attraverso sei spruzzatori, viene diretta all'interno dei bicchierini rovesciati subendo, in questa fase, una certa aerazione permettendo così di ottenere un cubetto di ghiaccio solido e cristallino.

B. VALVOLA SOLENOIDE DI INGRESSO DELL'ACQUA - RACCORDO DA 3/4 GAS MASCHIO

La valvola solenoide di ingresso dell'acqua posta nella parte posteriore dell'apparecchio, è eccitata solamente durante il ciclo di sbrinamento. Quando è eccitata permette, ad una limitata quantità d'acqua, di fluire verso la parte superiore della piastra evaporatore assistendo così il gas caldo durante la fase di distacco dei cubetti. Quest'acqua viene quindi scaricata dalla piastra dell'evaporatore, attraverso i fori di scarico, nel serbatoio di raccolta sottostante da dove viene aspirata dalla pompa e diretta alla piastra spruzzante. Nei modelli 2006, 2508, 3008, 3015, 4015, 5022 e 6022 raffreddati ad acqua è montata una seconda valvola solenoide di ingresso acqua alimentata elettricamente attraverso un pressostato.

C. VALVOLA SOLENOIDE DEL GAS CALDO

La valvola solenoide del gas caldo è composta essenzialmente da due parti, rispettivamente il corpo e la bobina.

Durante il ciclo di sbrinamento la bobina, collocata sulla parte superiore della valvola gas caldo è attivata attraendo pertanto il pistoncino posto all'interno del corpo valvola.

Questo apre il passaggio al gas caldo pompato dal compressore, consentendogli di fluire direttamente nella serpentina dell'evaporatore distaccando così i cubetti di ghiaccio dai bicchierini.

D. TERMOSTATO CONTENITORE

Il tubo sensibile del termostato contenitore (tubo capillare) è inserito nel tubo portabulbo fissato sulla parete della cabina di deposito del ghiaccio ed ha il compito di interrompere il funzionamento dell'apparecchio quando il tubo sensibile è coperto dal ghiaccio e di farlo ripartire non appena il ghiaccio sia stato rimosso. Il termostato contenitore è tarato direttamente in fabbrica per fermare l'apparecchio a 1°C e riattaccarlo a 4°C.

E. TERMOSTATO EVAPORATORE (CONTROLLO DELLA DIMENSIONE DEI CUBETTI)

Nei modelli 2006, 2508, 3008, 3015, 4015 e 5022 il termostato evaporatore posto nella parte frontale della scatola elettrica, è essenzialmente un controllo della temperatura che chiude i suoi contatti 3-2 quando la temperatura scende (ciclo di congelamento) e li apre chiudendo i contatti 3-4 quando la temperatura sale (ciclo di sbrinamento).

Questo controllo determina la durata del ciclo di congelamento e di conseguenza la dimensione dei cubetti di ghiaccio. Una bassa regolazione produrrà cubetti di ghiaccio troppo pieni mentre al contrario un'alta regolazione produrrà cubetti di ghiaccio incompleti (troppo vuoti). Nei modelli 2006, 2508, 3008, 3015, 4015 e 5022 i contatti del termostato evaporatore sulla seconda posizione (contatti 3-2) chiudono il circuito elettrico ai componenti del ciclo di sbrinamento controllandone la sua durata.

Il termostato evaporatore è regolato in fabbrica (manopola su puntino nero) e non richiede aggiustamenti quando la temperatura ambiente rimane tra 20 e 30°C.

Nei modelli 6022, 7540, 9040 e 9550 quando i contatti del termostato sono chiusi, viene messo in funzione il timer che completa il ciclo di congelamento passando successivamente al ciclo di sbrinamento.

F. VENTILATORE (RAFFR. AD ARIA)

Nei modelli 2006, 2508, 3008, 3015, 4015 e 5022 il ventilatore, collegato al circuito elettrico attraverso i contatti 3-4 del termostato evaporatore, opera soltanto durante il ciclo di congelamento, facendo circolare l'aria attraverso il condensatore e mantenendo così, entro valori prestabiliti l'alta pressione.

Nelle versioni a raffreddamento ad aria 6022, 7540, 9040 e 9550 il funzionamento è controllato costantemente dal pressostato

G. COMPRESSORE ERMETICO

Il compressore ermetico ha il compito di far circolare il refrigerante attraverso l'intero sistema. Esso aspira il refrigerante sotto forma di vapore a bassa pressione e temperatura, lo comprime, facendone aumentare di conseguenza sia la pressione che la temperatura, e lo trasforma in vapore ad alta pressione e temperatura che lascia il compressore attraverso la valvola di scarico.

H. SCIVOLO E PIASTRA SPRUZZANTE

L'acqua, forzata dalla pompa all'interno della piastra spruzzante, fuoriesce attraverso gli spruzzatori i quali hanno il compito di formare un getto a ventaglio e di dirigerlo verso i bicchierini raffreddati dell'evaporatore.

I. TERMOSTATO DI SICUREZZA

Posto nella parte inferiore della scatola elettrica è del tipo a reinserimento manuale ed arresta il funzionamento dell'apparecchio quando il suo bulbo (ancorato alla linea dal liquido poco prima del filtro deumidificatore) raggiunge la temperatura di 70°C.

J. INTERRUETTORE DI LAVAGGIO (2006 - 2508 - 3008 - 3015 - 4015 - 5022)

Interruttore manuale, posto nella scatola elettrica eccita la bobina della valvola del gas caldo e della valvola di ingresso dell'acqua per il caricamento manuale dell'acqua e per risciacquare il circuito idraulico dell'apparecchio durante le operazioni di pulizia.

K. PRESSOSTATO (2006 - 2508 - 3008 - 3015 - 4015 - 5022 - 6022 ad acqua)

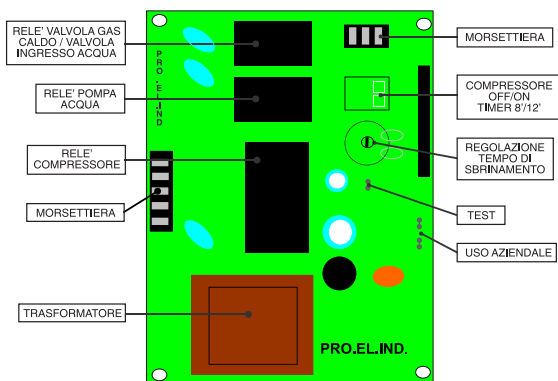
Usato nei modelli raffreddati ad acqua ha il compito di mantenere la pressione di mandata tra due valori predefiniti alimentando elettricamente la bobina della valvola di ingresso acqua che controlla il flusso di acqua al condensatore.

L. VALVOLA PRESSOSTATICA (solo 7540 - 9040 - 9550 modelli raffr. ad acqua)

La valvola pressostatica mantiene ad un valore costante l'alta pressione nel circuito refrigerante variando il flusso di acqua di raffreddamento del condensatore.

Come la pressione sale la valvola pressostatica si apre ulteriormente per accrescere il flusso d'acqua di raffreddamento al condensatore.

M. TIMER ELETTRONICO (6022 - 7540 - 9040 - 9550)



Il Timer Elettronico è dotato di un Dip Switch con due tasti di commutazione e un potenziometro che ne gestiscono il funzionamento.

Il primo tasto di commutazione (1) sostituisce l'interruttore del compressore utilizzato nella precedente versione elettromeccanica ed è impostato dalla fabbrica in posizione ON in modo da attivare il compressore per il normale funzionamento della macchina.

Se posizionato su OFF disattiva il compressore lasciando in funzione solo la pompa dell'acqua per il lavaggio del circuito idraulico.

Con il secondo tasto di commutazione (2) si può impostare il tempo aggiuntivo predefinito (Ta) dell'ultima fase del ciclo di congelamento.

Viene impostato in fabbrica a 8 o 12 minuti in funzione del modello della macchina.

Tabella delle impostazioni standard dei DIP SWITCH

	N. 1	N. 2
6022	ON	ON
7540 - 9040	ON	ON
9550	ON	ON

Tabella riepilogativa delle funzione dei due microinterruttori

	N. 1	N. 2
ON	Impostaz. Standard Compressore ON	Ta = 12'
OFF	Impostazione fase lavaggio Compressore OFF	Ta = 8'

Il potenziometro viene invece utilizzato per la regolazione del tempo del ciclo di sbrinamento; questo tempo viene impostato in fabbrica in base al modello della macchina ed ha un campo di regolazione che va da un minimo di 60" (rotazione in senso orario) ad un massimo di 180" (rotazione in senso antiorario).

N. PRESSOSTATO DI COMANDO VENTILATORE (6022 - 7540 - 9040 - 9550 modelli raffreddati ad aria)

E' un pressostato di pressione a funzionamento automatico. Elettricamente collegato al ventilatore del condensatore ha la funzione di attaccare o staccare il ventilatore mantenendo, entro un certo livello la pressione di condensazione.

O. INTERRUTTORE PRINCIPALE (6022 - 7540 - 9040 - 9550)

Interruttore manuale, posto nella parte laterale destra della scatole elettrica, spegne l'intero apparecchio.

P. INTERRUTTORE DEL COMPRESSORE (6022 - 7540 - 9040 - 9550)

Posto nella parte laterale destra della scatola elettrica proprio di fianco all'interruttore principale, arresta solo il funzionamento del compressore.

ISTRUZIONI PER LA PULIZIA DEL CIRCUITO IDRAULICO

1. Togliere il pannello frontale e superiore per accedere sia alla scatola elettrica che all'evaporatore.

2. Attendere la fine del ciclo di sbrinamento quindi arrestare l'apparecchio all'interruttore generale esterno nei modelli 2006, 2508, 3008, 3015, 4015 e 5022 o all'interruttore generale della macchina nei modelli 6022, 7540, 9040 e 9550.

3. Prelevare tutto il ghiaccio stivato nel contenitore in modo che questi non venga contaminato con la soluzione disincrostante.

4. Togliere il tappo in plastica posto sotto il serbatoio dell'acqua in modo da scaricare l'acqua contenuta assieme ai depositi calcarei.

5. Togliere la tendina quindi, usando una bottiglia, versare dell'acqua sul fondo del serbatoio in modo da rimuovere eventuali scaglie di calcare.

6. Installare di nuovo la tendina così come il tappo in plastica.

7. In un secchio pulito preparare la soluzione disincrostante diluendo in 1-2 litri di acqua potabile calda (45-50°C) 0,2 litri di disincrostante.

ATTENZIONE. I disincrostanti per produttori di ghiaccio contengono una soluzione di acido fosforico e idrossiacetico. Questa soluzione è corrosiva e, se ingerita, può causare disturbi intestinali. Non provocare il vomito. In questo caso bisogna bere una abbondante quantità di acqua o di latte e chiamare subito il medico. Nel caso di contatto esterno è sufficiente lavare la parte con acqua. TENERLO LONTANO DALLA PORTATA DEI BAMBINI.

8. Rimuovere il coperchio dell'evaporatore e versare lentamente la soluzione disincrostante tra le formine di rame. Impiegare un pennello per sciogliere le incrostazioni presenti negli angoli più remoti.

2006 - 2508 - 3008 - 3015 - 4015 - 5022

1. Avviare nuovamente la macchina all'interruttore esterno.

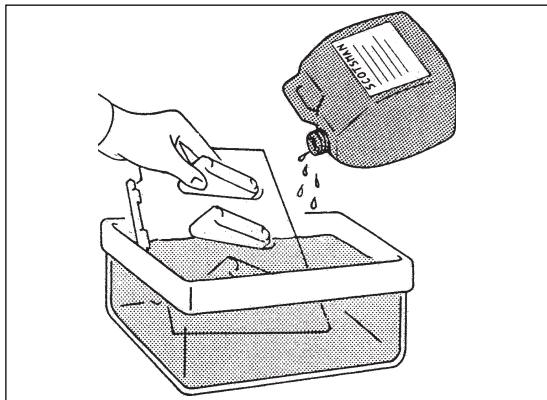
Lasciare l'apparecchio in funzione per circa 20 minuti quindi posizionare l'interruttore di "lavaggio" sulla posizione "lava - II" per scongelare i cubetti dall'evaporatore.

NOTA. *La quantità di disincrostante così come il tempo necessario per la disincrostazione dipendono dalle condizioni del circuito idraulico (incrostazioni).*

2. Spegnerne l'apparecchio ruotando il termostato evaporatore in senso antiorario, scaricare la soluzione disincrostante dal serbatoio quindi

versare nella parte superiore dell'evaporatore 2 o 3 litri di acqua potabile per risciacquare sia i bicchieri che la piastra in plastica.

3. Se necessario rimuovere la piastra spruzzante per essere pulita separatamente.



4. Ruotare di nuovo la manopola del termostato evaporatore sulla posizione di funzionamento normale. La pompa è di nuovo in funzionamento per ricircolare l'acqua così da risciacquare l'intero circuito idraulico.

Ripetere le operazioni al punto 8 e 9 almeno due volte in modo da essere sicuri di non lasciare tracce di soluzione disincrostante nella vaschetta dell'acqua.

Versare sulla parte superiore dell'evaporatore una caraffa d'acqua contenente della soluzione battericida, quindi rimettere in funzione l'apparecchio allo scopo di igienizzare tutto il circuito idraulico per circa 10 minuti.

ATTENZIONE: non miscelare la sostanza battericida con il disincrostante al fine di evitare di generare acidi molto aggressivi.

5. Scaricare la soluzione battericida dal serbatoio quindi, con l'ausilio dell'interruttore lavaggio posto sulla posizione II (lava), ruotare il termostato evaporatore nella posizione di funzionamento normale. L'apparecchio è ora pronto per il funzionamento automatico e continuo.

6022 - 7540 - 9040 - 9550

1. Accendere l'apparecchio tramite l'interruttore principale quindi spostare il primo dip-switch sulla posizione OFF.

In questo modo il compressore non verrà alimentato e l'unico componente in funzione durante la fase di lavaggio sarà la pompa dell'acqua.

2. Lasciare funzionare l'apparecchio per circa 20 minuti. Non verrà prodotto del ghiaccio in quanto il compressore è mantenuto spento.

3. Arrestare il funzionamento dell'apparecchio agendo sull'interruttore principale, quindi rimuovere il tappo dal serbatoio acqua e lasciar defluire il liquido rimasto attraverso il foro di scarico.

4. Risciacquare il serbatoio e rimettere il tappo.
5. Versare sulla parte superiore dell'evaporatore una caraffa d'acqua contenente della sostanza battericida, quindi rimettere in funzione l'apparecchio allo scopo di igienizzare tutto il circuito idraulico per circa 10 minuti.

ATTENZIONE. Non miscelare la sostanza battericida con il disincrostante al fine di evitare la generazione di acidi molto aggressivi.

6. Arrestare la macchina e scaricare la soluzione disinfettante dal serbatoio .
7. Porre l'interruttore principale sulla posizione ON (acceso).
8. Lasciare che l'apparecchio compia un ciclo di sbrinamento completo per poter riempire di nuovo il serbatoio dell'acqua.
9. Quando dallo scarico si nota la fuoriuscita dell'acqua attivare il compressore ponendo il primo dip-switch su ON al fine di rimettere l'apparecchio nelle condizioni di funzionamento normale.

10. L'apparecchio è ora pronto per il funzionamento automatico e continuo.

11. Rimontare il coperchio dell'evaporatore ed i pannelli precedentemente rimossi.

12. Controllare che i cubetti di ghiaccio prodotti dopo il primo ciclo di congelamento siano trasparenti e che non abbiano sapore acidulo.

ATTENZIONE. Non utilizzare i cubetti opachi-bianchi e di sapore acidulo prodotti dopo il procedimento di pulizia del sistema idraulico con il disincrostante. Per ogni evenienza è bene versare dell'acqua tiepida all'interno del contenitore così da sciogliere i cubetti di ghiaccio appena prodotti.

13. Sciacquare ed asciugare le pareti interne del contenitore del ghiaccio.

NOTA. Ricordarsi che per evitare l'accumulo di batteri indesiderati è necessario pulire ed *igienizzare* le pareti interne del contenitore *ogni settimana* con una soluzione di acqua mista ad una sostanza battericida.

INFORMATIONS GÉNÉRALES ET INSTALLATION

A. INTRODUCTION

Dans ce manuel vous trouverez les indications nécessaires et la marche à suivre pour réaliser: l'installation, le démarrage, le fonctionnement, l'entretien et le nettoyage des machines à glace. Ces machines ont été étudiées, conçues, construites et vérifiées avec le maximum de soin pour satisfaire la clientèle la plus exigeante.

NOTA. *Pour préserver les caractéristiques de qualité et de sécurité des fabriques de glace, il est fondamental d'effectuer les opérations d'installation et de maintenance strictement selon les instructions indiquées dans ce manuel de service.*

B. DÉBALLAGE ET VÉRIFICATION

1. Examiner l'extérieur du carton d'emballage et s'assurer qu'il n'y a pas d'avarie imputable au transport. Celle-ci pouvant entraîner un dommage caché sur la machine, exiger un examen intérieur en présence du transporteur.
2. a) Couper et enlever les sangles en plastique maintenant le cartonnage sur son socle.
b) Ouvrir le dessus du carton et enlever la plaque et les plots d'angle de polystyrène de protection.
c) Enlever entièrement la boîte en carton.
3. Démontez les panneaux de la machine et s'assurer qu'il n'y a pas de dégâts à l'intérieur. Faire une déclaration auprès du transporteur dans le cas d'un dommage caché, comme indiqué au paragraphe 2 ci-dessus.
4. Ouvrir la porte cabine et enlever tous les supports intérieurs d'emballage et les rubans adhésifs de protection.



5. S'assurer que les tuyauteries frigorifiques ne frottent, ni ne touchent, ni entre elles ni à d'autres surfaces et que l'hélice du ventilateur du condenseur tourne librement.

6. Nettoyer les parois intérieures de la cabine de stockage et les parois extérieures du meuble.

7. S'assurer que la tension d'alimentation correspond bien aux indications mentionnées sur la plaque signalétique fixée à l'arrière sur le châssis.

ATTENTION. **Tout incident occasionné par l'utilisation d'une mauvaise tension d'alimentation annulera vos droits à la GARANTIE.**

8. Retirer du Mode d'Emploi la fiche de garantie et la remplir avec soin en y indiquant le type et le numéro de série relevés sur la plaque signalétique. Envoyer un exemplaire à l'Usine.

C. LOGEMENT ET MISE DE NIVEAU

ATTENTION. **Cette machine n'est pas faite pour fonctionner à l'extérieur lorsque les températures de l'air ambiant sont en dessous de +10°C ou au dessus de +40°C.**

Le fonctionnement prolongé hors de ces limites est considéré annule les clauses du contrat de garantie.

1. Mettre en place la machine dans l'emplacement qui lui est réservé. Pour le choix de l'emplacement tenir compte:
 - a) température ambiante du local compris entre +10°C et +40°C.
 - b) température de l'eau d'alimentation compris entre +5°C et +35°C.
 - c) endroit bien ventilé pour assurer un refroidissement correct du condenseur.
 - d) espace suffisant pour accéder aux branchements à l'arrière. Un espace libre de 15 cm minimum est nécessaire autour de l'unité pour le passage de l'air frais sur le condenseur des groupes à air et son évacuation.

NOTA. *Dans le cas d'une machine encastrée et, en fonction de l'augmentation de la température de l'ambiance au-delà de +30°C, la production indiquées sur le diagramme sont à diminuer progressivement jusqu'à 10% maximum.*

La capacité de production est directement liée à la température d'arrivée de l'air sur le condenseur, à la température de l'eau et à l'ancienneté de la machine.

*Pour conserver à votre **machine à glace en cubes** sa capacité maximum de production, il est nécessaire de procéder périodiquement à son entretien comme reporté au chapitre correspondant.*

2. Mettre de niveau la machine en utilisant les pieds réglables.

D. BRANCHEMENTS ÉLECTRIQUES

Déterminer en fonction des indications mentionnées sur la plaque signalétique (puissance, intensité) la dimension du câble nécessaire pour l'alimentation électrique de la machine.

Tous les machines sont expédiées complètement cablées avec leur cordon d'alimentation électrique. S'assurer que la machine à bien sa ligne d'alimentation qui est branchée à un interrupteur bipolaire murale pourvu des fusibles et d'un **conducteur de terre**.

Voir la plaque signalétique pour déterminer le calibre du fusible.

Tout le cablage extérieur devra être conforme aux normes électriques en vigueur.

Vérifier la conformité du voltage de la ligne d'alimentation avec la plaque d'immatriculation avant de brancher la machine.

La tension admissible maximum ne doit pas dépasser 10% de la valeur indiquée sur la plaque, même lors du démarrage. Le sous-voltage admissible ne doit pas dépasser 10%.

Un sous-voltage peut occasionner un mauvais fonctionnement et détériorer les contacts et les enroulements de moteur.

Avant de brancher la machine vérifiez encore une fois la tension disponible contre les indications de la plaque signalétique.

NOTA. *Les branchements électriques doivent être fait par un professionnel dans le respect des normes locales.*

E. BRANCHEMENTS D'ARRIVÉE ET D'ÉVACUATION D'EAU

Généralités

Pour le choix du mode d'alimentation d'eau sur la machine à glaçons il faudra tenir compte:

- a) de la distance entre le réseau et la machine
- b) de la clarté et de la pureté de l'eau
- c) de sa pression.

La glace est obtenue à partir de l'eau. Les points ci-dessus sont donc importantes pour le bon fonctionnement de la machine.

L'eau contenant, en quantité, des sels minéraux aura tendance à produire des cubes d'autant plus opaques qu'elle contiendra plus de sels.

Une pression trop basse, inférieure à 1 bar, peut être une cause de mauvaise fabrication de la glace.

Une eau trop fortement chlorée peut être améliorée en utilisant des filtres au charbon de bois ou au charbon actif.

Alimentation d'eau

Raccorder avec le tuyau flexible en plastique alimentaire fourni avec la machine, l'alimentation d'eau générale au raccord 3/4" GAS mâle situé sur la vanne électromagnétique d'arrivée d'eau. Installer, à un endroit accessible, entre l'arrivée et la machine une vanne d'arrêt.

L'eau est très dure ou avec des impuretés en excès il sera préférable monter sur l'arrivée d'eau de la machine un filtre efficace, positionné avec sa flèche dans le sens de circulation de l'eau.

Les modèles refroidi par eau sont équipées d'une vanne d'arrivée eau avec une entrée et deux sorties; une est branchée au condenseur, la deuxième est utilisée par la production des glaçons.

Alimentation d'eau - Modèles refroidis par eau

Les machines à glaçons en version à refroidissement par eau ont besoin de deux lignes d'alimentation d'eau séparées.

Une pour l'eau qui doit être transformée en glaçons et l'autre pour l'eau de refroidissement du condenseur.

Raccorder l'alimentation d'eau avec un tuyau flexible en plastique (fourni avec la machine) au raccord de 3/4" mâle d'arrivée d'eau de condensation en prenant soin d'installer une vanne d'arrêt à proximité de la machine.

Évacuation d'eau

Le tube d'évacuation recommandé est un tube en plastique rigide de 18 mm diamètre int. conduisant à un siphon de sol ouvert avec une pente de 3 cm par mètre.

Pour faciliter l'écoulement d'eau dans le tube d'évacuation il est nécessaire de mettre une prise d'air verticale au niveau du raccordement d'évacuation.

Évacuation d'eau - Modèles refroidis par eau

L'évacuation du condenseur, sur les machines à eau, est raccordé au écoulement commun, à l'intérieur de la machine.

Pour ce-là il faut bien prévoir l'installation d'une prise d'air verticale sur le point plus haut de la tuyauterie d'évacuation en manière d'avoir un bon écoulement d'eau et il faut aussi s'assurer que l'eau s'écoule bien dans un siphon de sol ouverte.

Cela afin d'éviter, qu'en cas de mauvaise vidange, que l'eau d'évacuation du condenseur puisse dégorger dans la cabine de stockage.

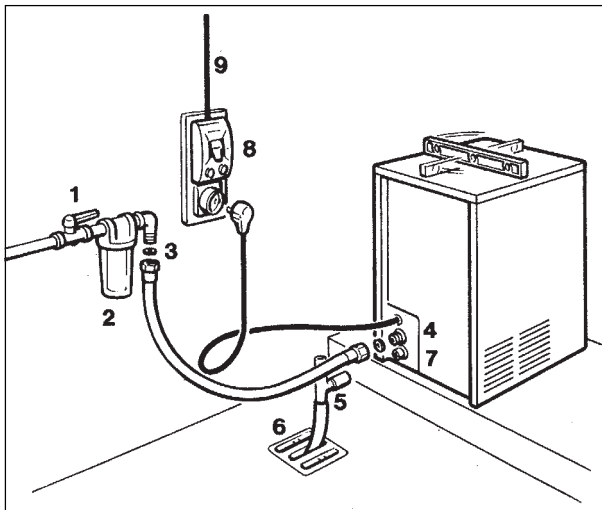
NOTA. *L'alimentation et l'évacuation d'eau doivent être installées par un professionnel dans le respect des normes locales.*

F. LISTE DE CONTRÔLE FINAL

1. Est-ce que la machine a été placée dans une pièce où la température ambiante ne descend jamais au dessous de +10°C durant les mois d'hiver?
2. Y-a t-il au moins 15 cm d'espace libre à l'arrière et autour de la machine pour une bonne aération?
3. La machine a t-elle été mise de niveau?
4. Tous les raccordements électriques et d'eau y compris la vanne d'arrêt ont-ils été effectués?
5. La tension électrique d'alimentation correspond t-elle bien aux indications de la plaque signalétique?
6. S'est-on assuré que la pression minimum de l'eau fournie ne sera jamais inférieure à 1 bar?

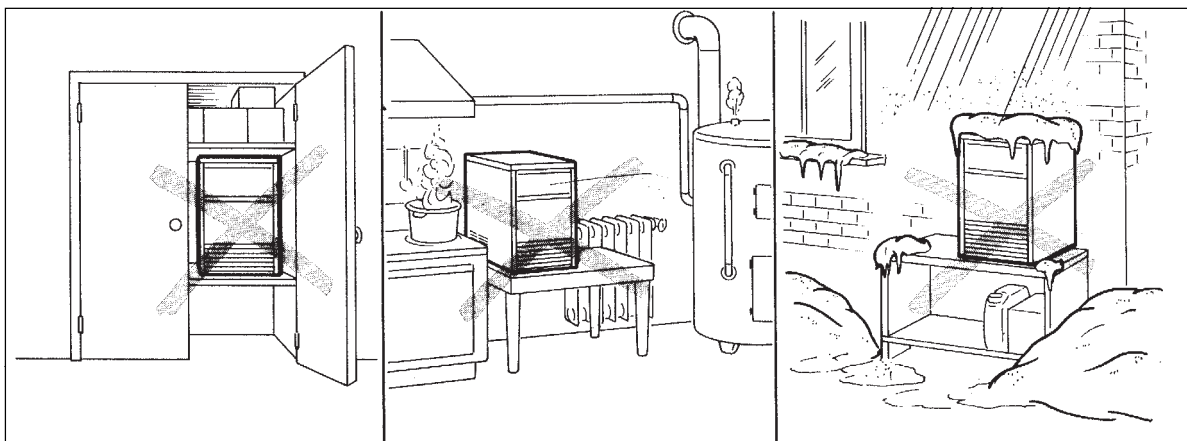
7. Avez-vous vérifié que toutes les tuyauteries frigorifiques et autres sont à l'abri des vibrations, de l'usure et d'un éventuel défaut?
8. Les boulons de blocage du compresseur ont-ils été retirés? S'assurer que le compresseur est bien calé sur ses silenblocs.
9. La cabine et l'extérieur de la machine à t'elle été essuyés proprement?
10. Avez-vous bien remis le manuel contenant les instructions d'utilisation au client? Avez-vous attiré son attention sur l'importance de l'entretien périodique de la machine?
11. Avez-vous rempli correctement la fiche de garantie? Avez-vous bien vérifié le type et le numéro de série sur la plaque avant de l'envoyer?
12. Avez-vous donné le nom du client et son numéro de téléphone au représentant local de son secteur?

G. INSTALLATION PRATIQUE



1. Vanne d'arrêt
2. Filtre d'eau
3. Alimentation d'eau
4. Raccord de 3/4 mâle
5. Évacuation avec prise d'air
6. Évacuation d'eau à siphon
7. Raccord d'évacuation
8. Interrupteur général
9. Ligne d'alimentation électrique

ATTENTION. Cette machine à glace n'est pas prévue pour fonctionner à l'extérieur. L'utiliser pour des températures ambiante comprises entre +10°C et +40°C et d'eau comprises entre +5°C et +40°C.



INSTRUCTIONS DE FONCTIONNEMENT

DÉMARRAGE

Après avoir installé correctement la fabrique de glace et avoir complété le branchements hydrauliques et électriques, effectuez les opérations de démarrage ci-dessous:

2006 - 2508 - 3008 - 3015 - 4015 - 5022

1. Enlevez le panneau frontal et localisez le boîtier de contrôle.
2. Positionnez l'interrupteur de nettoyage sur la position "NETTOYAGE" (II) pour alimenter les bobines de la vanne d'arrivée d'eau et de gaz chauds.
3. Mettez l'interrupteur principale en position **ON** (Marche) pour mettre la machine sous tension. Pendant cette phase les composants en fonctionnement sont.

LA VANNE D'ARRIVÉE D'EAU

LA VANNE DE GAZ CHAUDS.

La **pompe a eau** et le **motoventilateur** sont aussi en fonctionnement.

4. Laissez la machine dans la phase de remplissage d'eau par trois/quatre minutes jusqu'à ce que l'eau arrive en correspondance au trop plein (eau écoule par la vidange) puis repositionner l'interrupteur de nettoyage sur la position FONCTIONNEMENT (I).

6022 - 7540 - 9040 - 9550

A. Mettez l'interrupteur principale en position ON (marche) pour mettre en marche la machine; la machine démarre dans le cycle de dégivrage avec les suivantes composants en fonctionnement:

VANNE D'ARRIVÉE D'EAU

VANNE GAZ CHAUDS

COMPRESSEUR

TEMPORISATEUR ELECTRONIQUE

NOTA. Pendant la phase de remplissage d'eau ainsi que pendant le cycle de demoulage la vanne d'arrive d'eau est alimenté electriquement. L'eau arrive sur la platine évaporateur et s'écoule par les trous bien dans le réservoir d'eau pour être utilisé dans le prochain cycle de congelation.

VÉRIFICATIONS DE FONCTIONNEMENT

A. La machine commence sa premier cycle de congelation avec le démarrage des éléments suivants:

COMPRESSEUR

POMPE A EAU

MOTOVENTILATEUR pour les machines refroidis par air.

B. Vérifiez, à travers l'ouverture de passage des glaçons, que le système d'arrosage d'eau est bien positionné et que l'eau vient à bien être aspergé à l'intérieur des godets de l'évaporateur. Vérifier aussi que les lamelles en plastique du rideau sont bien libre de basculer et qu'il n'y a pas d'eau qui passe au travers d'elles.

C. Le processus de fabrication de glace commence lorsque l'eau est aspergé à l'intérieur des godets.

Ceux-ci viennent à être graduellement réfrigérés par l'évaporation du réfrigérant qui circule dans le serpentin d'évaporateur.

D. Dans les modèles 2006 - 2508 - 3008 - 3015 - 4015 - 5022 pendant le cycle de congelation la temperature de l'évaporateur et ainsi que quelle du bulbe du thermostat évaporateur se baisse. Quand il arrive a un valeur predeterminé les contacts du thermostat évaporateur changes de position pour faire demarré le cycle de dégivrage. La durée d'un cycle de congélation s'échelonne entre 20 et 22 minutes, dans une ambiance de +21°C. Elle est plus longue ou plus courte selon que la température ambiante est plus élevée ou plus basse. La longeur total du cycle varie entre 23-25 minutes.

E. Dans les modèles 6022 - 7540 - 9040 - 9550 lorsque le bulbe du thermostat évaporateur, logé sur la serpentine de l'évaporateur, atteint la température d'enclanchement démarre le temporisateur électronique qui contrôle la 2ème phase du cycle de congélation jusqu'à la fin. Pendant cette phase les composants en fonctionnement sont:

COMPRESSEUR

POMPE A EAU

VENTILATEUR (pour les machines refroidis par air)

TEMPORISATEUR

Après un temps de 18÷20 min. de congélation, dans une ambiance avec une température hypotétique de 21°C a lieu le cycle de dégivrage avec l'activation simultanée des vannes de gaz chauds et arrivée d'eau. Les composants électriques en fonctionnement sont:

COMPRESSEUR

VANNE D'ARRIVÉE D'EAU

VANNE DE GAZ CHAUDS

TEMPORISATEUR ELECTRONIQUE

NOTA. Dans les machines 6022 - 7540 - 9040 - 9550 équipées avec le Temporisateur électronique le temps supplémentaire (12 min.) de le cycle de congélation commence quand le bulbe du thermostat évaporateur situé sur la serpentine de l'évaporateur atteint une température de environ -15°C. Puis l'appareil passe directement dans le Cycle de dégivrage.

F. Contrôlez, pendant le cycle de demoulage, que l'eau qui arrive coule bien sur la platine évaporateur, pour tomber dans le réservoir, de manière de rétablir le niveau d'eau jusqu'au bord du trop plein et que le surplus d'eau s'écoule bien à la vidange.

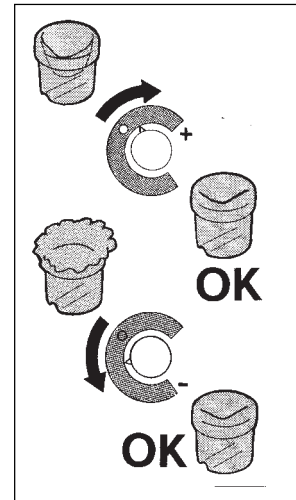
G. Contrôlez l'apparence et la forme des glaçons qui viennent de tomber dans la cabine. Les glaçons corrects doivent avoir un creux de 5-6 mm dans leur embase. Lorsqu'ils ne sont pas conformes, attendre la fin du second cycle avant de faire un réglage éventuel.

H. Si nécessaire, dans les modèles 2006, 2508, 3008, 3015, 4015 et 5022 on peut varier la longueur de ce cycle avec le bouton du thermostat évaporateur (sens des aiguilles d'une montre), jusqu'à obtention de la dimension correcte.



• Si la température ambiante dans laquelle se trouve l'appareil est inférieure à 20°C, les cubes peuvent présenter un creux intérieur (voir croquis).

• Si par contre la température ambiante est supérieure à 30°C, les cubes auront tendance à avoir des dentelures de glace autour de leur base.



Il est possible de remédier aux inconvénients illustrés ci-dessus en tournant, dans le premier cas, le bouton légèrement dans le sens de la montre et dans le second cas, ou contraire. Si les glaçons se présentent opaques et avec un creux trop profond dans leur centre, cela peut provenir d'une manque partielle d'eau qui s'est vérifiée pendant la phase finale du cycle de congélation ou, il peut bien provenir d'une mauvaise qualité de l'eau. Pour ce dernier cas, il sera nécessaire d'avoir un filtre ou un équipement de traitement d'eau.

I. La machine étant en cours de démoulage, tenir de la glace contre le bulbe du thermostat de contrôle de cabine pour tester l'arrêt, la machine devrait s'ARRÊTER à la fin du cycle de démoulage.

NOTA. Dans les minutes qui suivent le retrait de la glace sur le bulbe du thermostat, le bulbe se réchauffera et la machine se remettra en marche. Cette fonction est réglée en usine et ne doit pas être modifiée avant d'avoir procédé à des essais complets. Le réglage normal est d'environ 1,5°C pour la coupure, et 4°C pour le réenclenchement.

K. Remontez les panneaux enlevés avant et expliquez avec soin au client/utilisateur les spécifications importantes de la machine, la mise en route et l'entretien, en parcourant toutes les procédures du MODE D'EMPLOI.



PRINCIPE DE FONCTIONNEMENT

Dans les machines à glaçons l'eau pour la fabrication de la glace est continuellement en mouvement. Une pompe électrique de circulation la pulvérise sous une pression adéquate à travers les jets, dans les godets inversés de l'évaporateur (Fig. A).

Une partie de cette eau se cristallise au contact des godets réfrigérés. La glace obtenue en forme de cloche sur les parois remplit petit à petit les godets donnant les glaçons finals.

CYCLE DE CONGÉLATION (Fig. B)

Le gaz réfrigérant est refoulé par le compresseur dans le condenseur, où il est refroidi et condensé en liquide par l'air ou par l'eau de refroidissement. Le réfrigérant liquide traverse le filtre déshydrateur et passe en suite par le tube capillaire où, l'échange de chaleur lui fait perdre un peu de sa pression et de sa température.

Le réfrigérant liquide pénètre dans le serpentín évaporateur (qui est un tube de diamètre supérieur à celui du capillaire) où il se détend et commence à s'évaporer partiellement.

Ce changement d'état est aussi provoqué par l'eau aspergée dans les godets qui fournit la chaleur nécessaire pour l'évaporation complète du réfrigérant.

Le réfrigérant en vapeur passe en suite au travers de l'accumulateur et retourne au compresseur - via tuyauterie d'aspiration où il échange de la chaleur avec le capillaire - pour être refoulé de nouveau.

Dans les modèles 2006, 2508, 3008, 3015, 4015 et 5022 le cycle de congélation est contrôlé par le thermostat évaporateur qui a son bulbe logé dans un tuyau en plastique en contact avec le serpentín évaporateur; dans les modèles 6022, 7540, 9040 et 9550, après la phase contrôlée par le thermostat évaporateur, il y a une phase contrôlée par le timer électronique.

Les composants électriques en fonctionnement pendant le cycle de congélation sont:

COMPRESSEUR

POMPE A EAU

VENTILATEUR (Pour les machines refroidis par air).

Dans les modèles 2006 et 2508 (le seul avec le réfrigérant R134a) à air, pendant le cycle de congélation la haute pression du réfrigérant régresse graduellement d'une valeur de 11 bars, généralement marquée au début du cycle quand la machine se trouve dans une ambiance de 21°C, à une valeur de 7 bars, marquée à la fin du cycle (une-deux minutes avant le démoulage).

Dans les modèles 3008, 3015, 4015 et 5022 avec le réfrigérant R404A à air, pendant le cycle de congélation la haute pression du réfrigérant régresse graduellement d'une valeur de 19,5 bars, généralement marquée au début du cycle quand la machine se trouve dans une ambiance de 21°C, à une valeur de 13 bars, marquée à la fin du cycle (une-deux minutes avant le démoulage).

Pour les modèles 6022, 7540, 9040 et 9550 refroidis par air pendant le cycle de congélation, la haute pression du réfrigérant varie entre 17,0 et 13,5 bar par l'action de contrôle d'un pressostat automatique.

Quand la pression du réfrigérant dans le condenseur monte au dessus d'une certaine limite, le pressostat ferme ses contacts ainsi de mettre en fonctionnement le Moto-ventilateur.

Quand se vérifie la situation contraire, c'est à dire, la pression du réfrigérant dans le condenseur baisse au dessous d'une valeur limite, le pressostat ouvre ses contacts et coupe, par conséquent, le fonctionnement du motoventilateur.

Les valeurs indiquées sont aussi liées à la température ambiante, donc elles sont sujets à augmenter si la température de l'ambiance s'élève.

Sur les machines 2006 et 2508 refroidi à eau (les seules a R134a) la haute pression de réfrigérant a une plage de variation qui va de 8,5 à 10 bars étant contrôlée par un pressostat H.P. qui commande, par une électrovanne d'arrivée d'eau logée sur le tube d'entrée d'eau du condenseur, le flux d'eau de refroidissement.

Dans les modèles 3008, 3015, 4015, 5022 et 6022 refroidi à eau (a R404A) la haute pression de réfrigérant a une plage de variation qui va de 12 et 17 bars étant contrôlée par un pressostat H.P. qui commande, par une électrovanne d'arrivée d'eau logée sur le tube d'entrée d'eau du condenseur, le flux d'eau de refroidissement. Sur modèles 7540, 9040 et 9550 refroidis par eau la pression du réfrigérant refoulé est maintenue constante a 15 bar par le contrôle de la vanne pressostatique fait sur le flux d'eau de refroidissement du condenseur.

NOTA. Dans les cas où la température (or pression correspondant) du condenseur monte à un valeur supérieur à 70° C a cause d'une manque partielle or totale d'eau de refroidissement, or du condenseur bloqué par la saleté pour le versions refroidis par air, **un dispositif de sécurité par activation manuel** arrête le fonctionnement de la machine.

Après avoir examiné la raison de l'arrêt et avoir remédié la situation, **il faut the presser le bouton de rearmement** en passant par les trou sur le panneau avant or remuer le même.

Pour les machines installée dans des ambiances de 21°C la basse pression, au départ du cycle, régresse rapidement à une valeur de 1,0 - 0,9 (2006 et 2508) et 2,5 - 3,0 bar dans tous les autres machines, pour baisser plus lentement, ayant un rapport inversement proportionnel à l'augmentation d'épaisseur des glaçons, jusqu'à ce qu'elle atteinte une valeur de 0,01 bar (2006 et 2508) et de 1,4 - 1,5 bar à la fin du cycle correspondant aux cubes de glace bien formés. La longueur total du cycle de congélation varie entre 20-22 minutes.

CYCLE DE DÉMOULAGE (Fig. D)

Dans les modèles 2006, 2508, 3008, 3015, 4015 et 5022 lorsque la température correspondante à la dimension requise pour les cubes de glace est atteinte dans l'évaporateur, le thermostat change ses contacts pour alimenter le cycle de démoulage.

Dans les modèles 6022, 7540, 9040 et 9550 lorsque le temporisateur a complété la deuxième partie du cycle de congélation de la machine, a lieu la phase de démoulage.

Les composants électriques en fonctionnement pendant ce cycle sont:

COMPRESSEUR

VANNE D'ARRIVÉE D'EAU

VANNE GAZ CHAUDS

TEMPORISATEUR (6022, 7540, 9040 et 9550)

L'eau qui arrive dans la machine, en passant par la vanne d'arrivée et par le limiteur de débit, s'écoule sur la platine évaporateur, dont l'eau travers les trous d'écoulement et tombe dans le réservoir. Cette eau se mélange avec celle qui est restée du cycle précédent, pour faire monter le niveau jusqu'au bord du trop plein (Fig. C).

L'excès d'eau du réservoir s'évacue par le trop plein de la vidange, de ce fait limite la concentration des sels minéraux dans le réservoir. Entre temps les gaz chauds déchargés par le compresseur sont déviés, par la vanne de gaz chauds ouverte, directement dans le serpentin évaporateur.

Le gaz chauds qui circule dans le serpentine évaporateur chauffe suffisamment les godets pour faire décoller de leur intérieur les glaçons formés. Les glaçons libérés tombent sur le plan de chute et ils sont canalisés, au travers de l'ouverture de sortie glace, dans la cabine de stockage.

NOTA. Dans les modèles 2006, 2508, 3008, 3015, 4015 et 5022 la durée du cycle de dégivrage (non réglable) est reliée à la température ambiante (plus courte avec température ambiante chaude et plus longue avec ambiante froide).

Dans les autres la durée du cycle de dégivrage est déterminée par le temporisateur. Si on veut varier la durée du cycle de dégivrage il faut tourner la vis de réglage (potentiomètre) pour augmenter ou réduire.

ATTENTION. La phase de démoulage est la plus critique pour les composants électriques du système réfrigérant, en particulier pour le compresseur. Pour éviter d'abuser de ces composants et réduire les possibilités de les faire tomber en panne, il ne faut pas dépasser les 4 minutes de durée de ce cycle.

Dans les modèles 2006, 2508, 3008, 3015, 4015 et 5022 le thermostat, du fait de la remontée de la température dans l'évaporateur, coupe le contact alimentant les vannes électromagnétiques "gaz chauds" et eau et remet en service la pompe et le ventilateur du condenseur.

L'ensemble est reparti pour un nouveau cycle de congélation.

Dans les modèles 6022, 7540, 9040 et 9550 la même chose est faite par le temporisateur (partie haute de la came).

NOTA. Sur les modèles 2006, 2508, 3008, 3015, 4015 et 5022 la longueur du cycle de dégivrage (non réglable) change en fonction de la température ambiante (plus court pour les hautes températures ambiante et plus long pour températures plus froides).

DESCRIPTION DES COMPOSANTS

A. Pompe a eau

La pompe à eau fonctionne en permanence pendant la phase de congélation et réfole l'eau en direction du système d'arrosage pour l'asperger à l'intérieur des godets/moules, ce faisant, l'eau vient à être aérée, chose qui permet la formation de glaçons transparents et solides.

B. Électrovanne d'admission d'eau

L'électrovanne d'admission d'eau est activé pendant la phase de démoulage.

Quand elle est activée une quantité d'eau suffisante circule entre les godets de la platine évaporateur, aidant ainsi le gaz chauds à démouler les glaçons.

L'eau s'écoule à travers les trous de la platine pour tomber dans le réservoir, situé sous l'évaporateur, d'où elle est recyclée par la pompe à eau en direction du système d'arrosage.

Une électrovanne d'arrivée d'eau spécial est utilisée sur les machines refroidis par eau avec une entre et deux sorties pour alimenter d'eau le condenseur et le réservoir (cuve). Cette deuxième sortie de l'électrovanne est commandé par un pressostat H.P. et elle fait arriver au condenseur un débit d'eau adéquate pour maintenir la valeur de pression de condensation entre la plage voulue.

C. Électrovanne de gaz chaud

L'électrovanne de gaz chauds comprend deux parties: le corps avec son noyau plongeur et la bobine. Elle est montée sur la ligne de refoulement du compresseur et est alimentée pendant le cycle de démoulage.

Pendant le démoulage, la bobine, placée au dessus du corps de la vanne, est excitée attirant ainsi le noyau plongeur à l'intérieur du corps de la vanne pour dévier le gaz chauds, provenant du compresseur, directement dans le serpentine évaporateur pour démouler les glaçons formés.

D. Thermostat de cabine

Le corps du thermostat est placé dans la boîte électrique. Son bulbe est fixé sur un côté à l'intérieur de la cabine de stockage. Il arrête automatiquement la machine quand la cabine est pleine de glace et la remet en service quand il en manque. Il est réglé à l'usine pour couper à + 1°C et enclencher à + 4°C.

Vérifier, avant remplacement, son bon fonctionnement en plaçant de la glace sur le bulbe avant de le monter sur la machine. Un déclic audible indiquera la coupure.

E. Thermostat contrôlant la dimension des cubes ou thermostat d'évaporateur

2006 - 2508 - 3008 - 3015 - 4015 - 5022

Le thermostat est logé dans la boîte électrique, à l'intérieur de la machine. Son fonctionnement est lié à la température de l'évaporateur par l'intermédiaire de son bulbe placé sur un de ses tubes.

Cet appareil fixe la durée du cycle de congélation et, parallèlement, la dimension des cubes.

Une coupure plus basse produira un plus gros cube, alors qu'une coupure plus haute donnera un cube plus petit.

En tournant dans le sens des aiguilles d'une montre, la coupure se fait sur + froid, inversement sur - froid avec en butée, une position "STOP". Réglé en usine sur la position "Bouton noire", il est recommandé d'agir progressivement et peu à la fois à chaque réglage.

Si le premier contact est lié à la température, le second est inverseur. Il commande et contrôle les composants du cycle de démoulage.

6022 - 7540 - 9040 - 9550

Ce thermostat a son bulbe lié à la fin du serpentin évaporateur pour en y relever la température du réfrigérant (déclinant pendant le cours du cycle) et en relation à ca, il change ses contacts de 3-4 à 3-2 (sensibilité réglable par la vis de réglage) pour activer le moteur du tempérisateur qui vade son côté à compléter le cycle de congélation (2ème phase temporisée).

Cette phase, comme spécifié dans le chapitre précédent, à une durée pré-fixée par le réglage du timer électronique.

F. Motoventilateur (Versions refroidis par air)

Le fonctionnement du motoventilateur pour les modèles 6022, 7540, 9040 et 9550 est commandé su travers le pressostat HP pendant le cycle de congélation pour aspirer l'air de refroidissement à travers les ailettes du condenseur.

Pendant la 2ème phase du cycle de congélation il arrive à fonctionner par intermittance parce que la pression de condensation est maintenu entre les valeurs de 13.5÷17 bar.

Dans les autres modèles il est en fonctionnement continu pendant le cycle de congélation.

G. Compresseur

Le compresseur, du type hermétique, est le coeur du circuit réfrigérant, il véhicule et récupère le réfrigérant à travers l'ensemble du système.

Il comprime le réfrigérant vapeur, à basse pression, augmentant ainsi sa température et le transforme en gaz chauds à haute pression qui vient déchargé par le clapet de refoulement.

H. Plate-forme d'arrosage et plan de chute des cubes

Le système d'arrosage utilisé sur cette unité est du modèle fixe. Aspirée dans réserve, d'eau est refoulée par la pompe, à travers des buses de pulvérisation, dans les godets inversés de l'évaporateur.

I. Thermostat de sécurité

Se dispositif fonctionne à titre de précaution, pour ARRÊTER l'alimentation électrique de la machine dans le cas un arrêt du ventilateur ou un manque d'eau se produirait au niveau du condenseur. Arrêt la machine quand la température du condenseur monte à 70°C.

J. Interrupteur de nettoyage. "Cleaning Cycle" (2006 - 2508 - 3008 - 3015 - 4015 - 5022)

Interrupteur manuel "Cleaning-Opérations" logé sur la boîtier électrique, alimentant les vannes électromagnétiques d'eau et de "gaz chauds" pour assurer le dégivrage manuel et le rinçage du circuit d'eau lors des opérations de nettoyage.

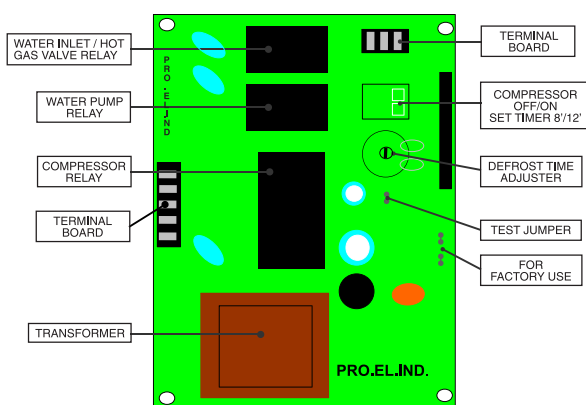
K. Pressostat H.P. (2006 - 2508 - 3008 - 3015 - 4015 - 5022 - 6022 refroidi par eau)

Utilisée seulement sur les machines refroidis par eau le pressostat H.P. contrôle le fonctionnement de la vanne d'alimentation d'eau au condenseur pour limiter les variations de la pression de la condensation selon la température de l'eau.

L. Vanne de régulation d'eau (Modèles refroidis par eau 7540, 9040 et 9550)

Cette vanne maintient la haute pression constante en contrôlant le débit d'eau circulant dans le condenseur à eau. Comme la haute pression monte, la vanne de régulation s'ouvre un peu plus pour augmenter le débit d'eau dans le condenseur.

M. MINUTERIE ÉLECTRONIQUE



Équipé d'un commutateur à deux micro-interrupteurs et un potentiomètre, il gère la durée de la seconde phase le cycle de congélation et le cycle complète de dégivrage (préréglée en usine). Le première micro-interrupteur (1) remplace l'interrupteur « compresseur » utilisé sur la version électromécanique précédente; réglage d'usine sur position ON pour alimenter le compresseur pendant le fonctionnement normal de la machine. Le même micro-interrupteur (1) est positionnée sur OFF pour le cycle de nettoyage pour avoir la seul pompe à eau en fonctionnement. Le deuxième micro-interrupteur (2) permet le réglage de la deuxième part du cycle de congélation (Ta) selon le modèle de la machine à glaçons.

Réglage usine Micro-interrupteurs

	N. 1	N. 2
6022	ON	ON
7540 - 9040	ON	ON
9550	ON	ON

Tableau avec les fonctions de les deux Micro-interrupteurs

	N. 1	N. 2
ON	Réglage d'usine Compresseur en marche	Ta = 12 min.
OFF	Nettoyage Compresseur a l'arrêt	Ta = 8 min.

Le potentiomètre sert à ajuster la longueur du dégivrage et il est réglé d'usine l'selon le modèle de la machine à glaçons. Il peut être réglable pour avoir une longueur des temps de dégivrage entre 60 sec. (tourner dans le sens de la montre), jusqu'à un maximum de 180 sec. (tournez dans le sens contraire de la montre)

N. Interrupteur du compresseur (6022 - 7540 - 9040 - 9550)

Logé sur la partie frontale de la boîtier de contrôle, cet interrupteur du compresseur positionnable sur les deux suivantes situations:

Fonctionnement (I). Active directement l'alimentation électrique du compresseur, ou, comme dans les modèles 65 et 90, le contacteur.

Arrêt (0). Arrête le fonctionnement du compresseur tandis que la pompe continue a fonctionner.

O. Pressostat HP (6022 - 7540 - 9040 - 9550 a air)

Utilisée soit sur les modèles refroidis par air, ce pressostat limites les variations de la pression de condensation avec l'arrêt et la mise en route du ventilateur.

P. Interrupteur principale (6022 - 7540 - 9040 - 9550)

Logé sur le devant de la boite électrique, il sert a couper ou a remettre en fonctionnement la machine.

INSTRUCTIONS DE NETTOYAGE DU CIRCUIT D'EAU

1. Enlevez les panneaux de devant et supérieur de manière à avoir accès à la boîte de contrôle et à l'évaporateur.

2. Attendez que la machine complète le cycle en cours et termine aussi le démoulage puis, arrêter momentanément la machine à l'interrupteur extérieure, dans les modèles 2006, 2508, 3008, 3015, 4015 et 5022 ou à l'interrupteur general, dans les 6022, 7540, 9040 et 9550.

3. Enlevez toute la glace déposée dans la cabine de stockage pour éviter qu'elle soit contaminée par la solution de nettoyage.

4. Demontez le capouchon en plastique placé au dessous du réservoir eau pour vidanger l'eau contenu ainsi que les dépôts de calcaire.

5. Demontez le rideau puis, avec une bouteille, versez de l'eau sur le fond du réservoir pour faire tomber les ecailles de calcaire.

6. Installez de nouveau the capouchon plastique ainsi que le rideau.

7. Préparez la solution de nettoyage suivante: mélangez environ 100-200 gr de **Ice Machine Cleaner** dans 2 lt. environ d'eau chaude (45 - 50°C) contenue dans un bac en plastique.

AVERTISSEMENT. Le produit de nettoyage Ice Machine Cleaner contient de l'acide phosphorique et de l'acide hydroxyacétique.

Ces constituants sont corrosif et peuvent provoquer des brûlures en cas d'absorption. NE PAS PROVOQUER DE VOMISSEMENT.

Administrez de grandes quantité d'eau ou de lait. Appeler immédiatement le médecin. En cas de contact externe, rincer abondamment avec de l'eau. GARDER HORS DE PORTEE DES ENFANTS.

8. Enlevez le couvercle d'évaporateur puis verser lentement sur l'évaporateur la solution préparée avant.

A l'aide d'un pinceau nettoyez les points cachés où les dépôts calcaires sont les plus résistants.

2006 - 2508 - 3008 - 3015 - 4015 - 5022

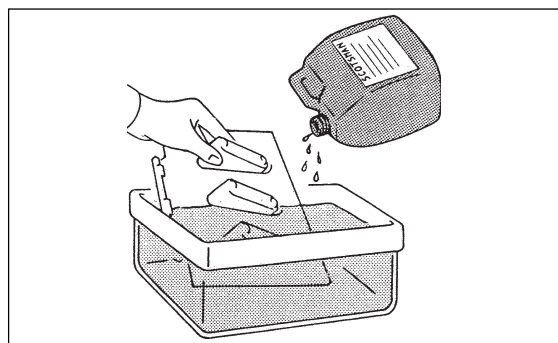
1. Mettez en marche la machine à l'interrupteur extérieur.

Laissez la machine à glace fonctionner pendant environ 20 minutes puis placer le bouton interrupteur de nettoyage sur la position "Lava - II" par 3 minutes et faire le démoulage des glaçons.

NOTE. La quantité de **CLEANER** à employer et le temps nécessaire pour le nettoyage du circuit sont liés aux caractéristiques de l'eau utilisée (dureté et propreté).

2. Au bout de ce temps, arrêtez la machine tournant le bouton contrôlant la dimension des cubes dans le sens contraire de la montre. Effectuez les opérations pour évacuer totalement la solution détartrante puis versez de l'eau dans le réservoir pour effectuer un bon rinçage.

3. Si nécessaire enlevez la plate-forme d'arrosage pour la nettoyer soigneusement à la main.



4. Tourner le bouton contrôlant la dimension des cubes sur la position de fonctionnement normal.

5. Faisez-le deux fois pour s'assurer de un bon rinçage et que il n'y pas des traces du produit detartrante.

6. Avec la machine à l'arrêt versez sur l'évaporateur de l'eau potable avec une dose de produit alguecicide puis mettez en marche la machine par environ 10 minutes pour stériliser le système hydraulique de la machine.

NOTA. Ne mélanger pas le produit detartrante avec le produit alguecicide pour éviter la generation d'un acid tres agressive.

7. Arrêtez la machine et vidangez le réservoir puis, avec l'interrupteur de nettoyage sur la position "NETTOYAGE" - II" remettez en marche la machine. Une fois que le niveau d'eau déborde par le trop plein (eau qui coule par le tuyau de vidange) il faut placer l'interrupteur de "NETTOYAGE" sur la position "MARCHE - II", au but de faire marcher la machine en fonctionnement automatique.

6022 - 7540 - 9040 - 9550

1. Déplacez la première clé de commutateur du DIP SWITCH en position OFF et mettez l'interrupteur principal de l'unité sur Marche. Faisant ça, la seule pompe à eau sera en fonctionnement pendant le cycle de nettoyage.

2. Laissez la machine à glace fonctionner dans cette position pendant environ 20 minutes puis débranchez la machine. Pas de glace sera produite parce que le compresseur est à l'arrêt.

3. Arrêtez la machine et effectuez les opérations pour évacuer totalement la solution détartrante.



4. Versez de l'eau (2-3 litres) dans l'évaporateur pour effectuer un bon rinçage.

5. Si nécessaire, enlever la plaque de pulvérisation d'eau pour le nettoyer séparément.

6. Mettez de nouveau l'interrupteur principal en position Marche, La pompe à eau est à nouveau en fonctionnement pour faire circuler l'eau afin de rincer le circuit d'eau.

7. Répétez les points 4, 5 et 7 deux fois puis versez sur l'évaporateur de l'eau potable avec une dose de produit alguecide puis mettez en marche la machine par environ 10 minutes pour stériliser le système hydraulique de la machine.

NOTA. Ne mélanger pas le produit détartrant avec le produit alguecide pour éviter la formation d'un acide très agressif.

8. Arrêtez la machine et vidangez le réservoir. Passer le premier micro-interrupteur de la carte en position ON, et positionner l'interrupteur général de la machine sur ON. Laissez l'appareil fonctionner normalement pendant le cycle de dégivrage pour avoir l'eau qui entre dans le réservoir. Une fois terminé la machine est prête à reprendre le fonctionnement normal.

9. Remplacez le couvercle de l'évaporateur et remontez les panneaux enlevés avant.

10. Quand le cycle est complété et les glaçons sont démoulés examinez chaque cube de glace pour s'assurer qu'ils sont bien transparents et que tout le goût acide a été éliminé.

ATTENTION. Si les glaçons sont opaques et ils ont un goût acide il faut les faire fondre en versant sur eux de l'eau chaude.

11. Nettoyez avec un chiffon propre les parois intérieures de la cabine de stockage.

RAPPELEZ: que pour prévenir l'accumulation des bactéries ou micro-organismes indésirables il est bien nécessaire de stériliser toutes les semaines l'intérieur de la cabine de stockage à l'aide du produit désinfectant/anti algues.

ALLGEMEINES UND INSTALLATION

A. EINLEITUNG

Dieser Eiswürfelbereiter wurde mit hoher Qualität gestaltet, entworfen und hergestellt. Ihr System der Eiswürfelbereitung unterliegt strengsten Qualitätskontrollen, um den höchsten Ansprüchen in bezug auf Anpassung an die Wünsche eines jeden Kunden gerecht zu werden. Unsere Eisbereiter werden so entworfen, daß sie unseren hausinternen strengen Sicherheits- und Qualitätsanforderungen gerecht werden.

HINWEIS. Zur Beibehaltung der Sicherheit und der Leistung dieses Eisbereiters ist es wichtig, daß die Anweisungen zur Installation und zur Bedienung, wie in dieser Anleitung aufgeführt, beachtet werden.

B. AUSPACKEN UND KONTROLLIEREN

1. Führen Sie eine Sichtprüfung der äußeren Verpackung und der Rutschen durch. Jeder von Ihnen bemerkte, ernsthafte Schaden ist dem Anlieferer zu melden. In Anwesenheit eines Repräsentanten des jeweiligen Transportunternehmens ist dann ein Schadensbericht in bezug auf die Überprüfung und den Packungsinhalt auszufüllen.
2. a) Schneiden und entfernen Sie zur Sicherung angebrachten Kunststoffstreifen von der Kartonverpackung.
b) Öffnen Sie die Oberseite des Kartons, und entfernen Sie die Schutzabdeckung aus Styropor.
c) Ziehen Sie die Styroporteile aus den Ecken, und entfernen Sie den Karton.
3. Entfernen Sie die Vorder- und die Rückwand der Einheit, und untersuchen Sie sie auf versteckte Schäden. Wenn ein versteckter Schaden vorliegt, wenden Sie sich, wie unter Schritt 1 beschrieben, an das jeweilige Transportunternehmen.
4. Die Klappe öffnen und alle Stützelemente und Verstärkungen sowie die Klebebandstreifen entfernen.



5. Stellen Sie sicher, daß die Kühlschlangen nicht gegeneinander scheuern oder sich gegenseitig oder andere Oberflächen berühren. Darüber hinaus müssen sich die Ventilatorflügel frei bewegen können.

6. Benutzen Sie ein sauberes, feuchtes Tuch, um die Oberflächen auf der Innenseite des Vorratsbehälters sowie die Außenseite der Einheit zu reinigen.

7. Beachten Sie das Typenschild, die sich auf der Rückseite des Gerätes befindet, um sicherzustellen, daß Ihre Netzspannung mit der Betriebsspannung des Gerätes übereinstimmt.

WARNUNG. Eine falsche Spannung der elektrischen Versorgung wird automatisch Ihre Garantierechte annullieren.

8. Nehmen Sie die Registrierkarte des Herstellers aus der Bedienungsanleitung, und tragen Sie alle Teile dort ein, einschließlich der Modell- und Seriennummer, die Sie dem Typenschild entnehmen können. Senden Sie die ausgefüllte, adressierte Registrierkarte zum Hersteller.

C. STELLPLATZ UND AUFSTELLUNG

1. Stellen Sie das Gerät an dem ausgewählten, permanenten Stellplatz auf. Die Kriterien für die Auswahl eines Platzes sind:
 - a) Eine Raumtemperatur von wenigstens 10°C und höchstens 40°C.
 - b) Die Temperatur des zufließenden Wasser: Mindestens 5°C und höchstens 40°C.
 - c) Ein gut belüfteter Platz für die luftgekühlten Modelle. Reinigen Sie den luftgekühlten Kondensator in regelmäßigen Abständen.
 - d) Wartungszugang: Es muß ausreichend Platz für die Wartungsverbindungen auf der Rückseite des Eiswürfelbereiters vorhanden sein. Ein minimaler Abstand von 15 cm muß zu den Seiten der Einheit gelassen werden, damit der kühlende Luftzug in die und aus der Einheit auch weiterhin für einen guten Kondensationsvorgang der luftgekühlten Modelle gewährleistet.

HINWEIS. Bei eingebauten Gerät verringert sich die Eisleistung in Bezug auf das was im Diagramm angegeben bis zu Erreichung des max. 10% bei Raumtemperaturen höher als 32°C.

Die tägliche Leistung verändert sich in Bezug auf die verschiedene Raumtemperatur, Wasserverorgungstemperatur, und Standort der Maschine. Um eine optimale Leistung ihres EISBEREITERS einzuhalten soll eine periodische Wartung durchgeführt werden, wie im Abschnitt dieser Bedienungsanleitung angegeben.

2. Richten Sie das Gerät sowohl von links nach rechts, als auch von vorn nach hinten aus.

HINWEIS. *Dieser Eisbereiter besteht aus empfindlichen Präzisionsbestandteilen so dass eventuelle Stöße vermieden werden müssen.*

D. ELEKTRISCHE ANSCHLÜSSE

Informieren Sie sich auf dem Typenschild über die geltenden Voraussetzungen der Kabelstärken, die Sie für die elektrischen Anschlüsse benötigen. Bei allen Eisbereitern ist ein **solides Erdungskabel** erforderlich.

Das Gerät wird vom Hersteller komplett mit allen Kabeln geliefert, es ist nur noch erforderlich, die Verbindung zum elektrischen Strom mit dem auf der Rückseite des Gerätes befindlichen Stromkabel herzustellen.

Stellen Sie sicher, daß das Gerät an seinen eigenen Stromkreis angeschlossen und individuell abgesichert ist (entnehmen Sie dem Typenschild die Sicherungsgröße).

Die maximal zulässigen Spannungsschwankungen liegen im Bereich von -10% und +10% der auf dem Typenschild angegebenen Spannung. Eine zu niedrige Spannung kann eine fehlerhafte Funktion verursachen und verantwortlich für eine erhebliche Beschädigung des Überspannungsschalters oder der Motorspleise sein.

HINWEIS. *Alle externen Stromkabel sollten gemäß den nationalen Richtlinien verlegt werden.*

Bevor Sie das Gerät anschließen, überprüfen Sie die Spannung Ihres Stromnetzes sowie die auf dem Typenschild angegebene Spannung.

E. WASSERVERSORGUNG UND ABFLUSSLEITUNGEN

Allgemeine Information

Bei der Wahl der Wasserversorgung für den Eisbereiter sollten Sie folgendes berücksichtigen:

- a) Die Versorgungslänge
- b) Wasserreinheit und -klarheit
- c) Ausreichenden Wasserversorgungsdruck

Da Wasser der wichtigste Einzelbestandteil bei der Herstellung von Eis ist, können Sie den oben aufgeführten drei Punkten nicht genügend Beachtung schenken. Niedriger Wasserdruck unterhalb von 1 bar kann eine Fehlfunktion der Eisbereitereinheit zur Folge haben. Aus Wasser, das einen Überschuss an Mineralien enthält, entstehen zumeist trübe Eiswürfel. Darüber hinaus lagert sich Kalk an den Teilen des Wassersystems ab.

Wasserversorgung

Schließen Sie das 3/4" Steckverbindungsstück des Wassereinlaß – Magnetventils unter Verwendung der im Lieferumfang enthaltenen, biegsamen Schlauch an den regulären Sanitäranschlüssen der Kaltwasser – Versorgungsleitung an. Ein Absperrventil ist an einer zugänglichen Stelle zwischen der Wasserversorgungsleitung und der Eisbereitereinheit zu installieren.

WASSERVERSORGUNG-WASSERGEKÜHLTE MASCHINEN

Die wassergekühlten Maschinen müssen an zwei getrennte Wasser-versorgungsleitungen angeschlossen werden, d.h. eine Leitung für die Eiswürfel-Produktion und eine Leitung für den wassergekühlten Kondensator.

Wasserabfluß

Das empfohlene Ablaufrohr ist ein Kunststoffrohr oder ein biegsames Rohr mit einem Innendurchmesser von 18 mm (3/4"), welches zu einem offenen, übergitterten und belüfteten Abfluß verlegt ist. Wenn der Abfluß über eine lange Strecke erfolgt, lassen Sie die Leitung pro Meter um 3 cm höher legen.

Ferner ist eine vertikale, offene Belüftung an der Abflußverbindung der Einheit erforderlich, um die korrekte Drainage des Auffangbeckens zu gewährleisten.

Wasserabfluß – Wassergekühlte Modelle

Die Wasserablaufleitung vom Kondensator ist bei wassergekühlten Versionen intern mit den Abflußanschlüssen der Einheit verbunden.

Es ist aus diesem Grund überaus ratsam, eine vertikale, offene Lüftung über dem höchsten Punkt der Abflusses der Einheit zu installieren, um einen guten Abfluß zu gewährleisten. Ferner wird empfohlen, die Abflußleitung zu einer übergitterten und belüfteten Abflußvorrichtung im Boden zu führen, um einen guten Abfluß zu gewährleisten, da bei einem schlechten Abfluß das Wasser, welches aus dem Kondensator läuft, im ungünstigsten Fall durch die Abflußrohre der Einheit in den Eisvorratsbehälter fließen kann.

HINWEIS: *Die Wasserversorgung und der Wasserabfluß müssen gemäß den nationalen Bestimmungen verlegt werden. In einigen Fällen sind ein eingetragener Klempner und/oder eine Verlegungsgenehmigung erforderlich.*

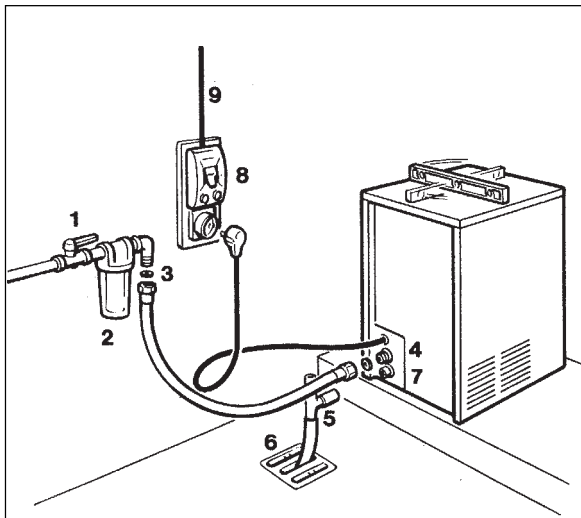
F. ENDKONTROLLE:

1. Befindet sich die Einheit in einem Raum, in dem die Mindesttemperatur 10°C beträgt, auch in den Wintermonaten?
2. Ist um die Einheit herum ein Mindestabstand von wenigstens 15 cm für eine gute Luftzirkulation gegeben?
3. Steht die Einheit gerade auf einer ebenen Oberfläche? (WICHTIG)
4. Wurden alle elektrischen Leitungen und alle Rohre verlegt und ist das Absperrventil offen?
5. Wurde die Spannung geprüft und gemäß den Daten auf dem Typenschild kontrolliert?
6. Wurde der Wasserversorgungsdruck überprüft, um einen Wasserdruck von wenigstens 1 bar sicherzustellen?
7. Überprüfen Sie alle Leitungen des Gefrier-Hydraulischen Kreises, um Schwingungen,

Scheuern und eventuelle Störungen auszuschließen.

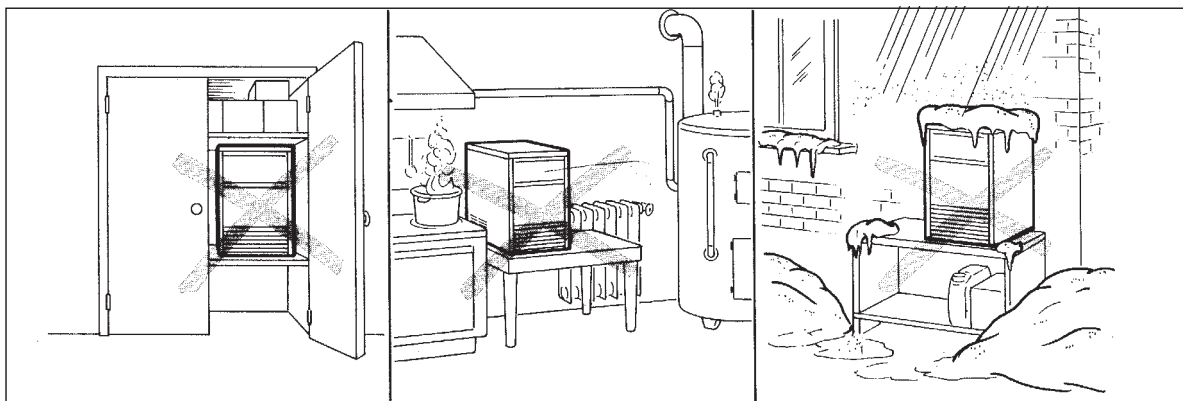
Überprüfen Sie auch alle Rohrklemmen (gut befestigt) und elektrische Kabel (gut angeschlossen).

8. Wurden die Befestigungsschrauben des Kompressors überprüft?
9. Wurden der Vorratsbehälter ausgewischt und die Außenseite des Behälters gereinigt?
10. Hat der Eigentümer / Benutzer die Bedienungsanleitung erhalten und ist er/sie über die Wichtigkeit der regelmäßigen Wartungskontrollen informiert worden?
11. Wurde die Herstellerregistrierkarte korrekt ausgefüllt? Kontrollieren Sie mit Hilfe des Typenschilds, ob das korrekte Modell und die richtige Seriennummer eingetragen ist). Schicken Sie die Registrierkarte an den Hersteller.
12. Hat der Eigentümer den Namen und die Telefonnummer der für ihn zuständigen Kundendienst – Fachvertretung erhalten?

G. INSTALLATION

1. Manuell zu betätigendes Absperrventil
2. Wasserfilter
3. Wasserversorgungsleitung (biegsamer Schlauch)
4. 3/4" Steckverbindung
5. Belüfteter Abfluß
6. Offener, übergitterter, belüfteter Abfluß
7. Abflußanschluß
8. Hauptschalter
9. Stromkabel

WARNUNG. Dieser Eisbereiter ist nicht für Aufstellung im Freien geplant und arbeitet nicht unter Raumtemperaturen unter 10°C bzw. über 40°C.
Das gleiche gilt für Wassertemperaturen die nicht unter 5°C oder über 35°C sein müssen.



Betriebsanleitung

Inbetriebnahme

Nachdem Sie den Eisbereiter korrekt installiert haben und alle Rohre und elektrischen Verbindungen verlegt sowie alle Anschlüsse vorgenommen haben, führen Sie die folgenden Schritte zur Inbetriebnahme durch.

2006-2508-3008-3015-4015-5022

A. Entfernen Sie die Frontabdeckung der Einheit und suchen Sie den Reinigungsschalter.

B. Stellen Sie den Reinigungsschalter in die Position "Reinigen" (II). Hierdurch wird der elektrische Stromkreis zum Wassereinlaßventil und zum Heißgas - Magnetventil gesperrt.

C. Schalten Sie den Stromkabel – Deaktivierungsschalter ein (ON). Die Einheit schaltet in die Wasserfüllphase ein. Während dieser Phase werden folgende Komponenten aktiviert:

Wassereinlaß – Magnetventil

Heißgas – Magnetventil

Die Wasserpumpe und der Ventilatormotor sind ebenfalls in Betrieb.

D. Lassen Sie die Einheit ungefähr 3 bis 4 Minuten im Abtauzyklus, bis das Wasser aus dem Abflußschlauch kommt, bringen Sie dann den Reinigungsschalter wieder in die Betriebsposition (I).

6022-7540-9040-9550

1. Versuchen, das Gerät mit dem Hauptschalter betreiben das Gerät beginnt seine erste Gefrierphase, bei Betätigung des ON Schalters.

Folgende Bestandteile sind aktiviert:

Wassereinlassventil

Heißgasventil

Timer Motor

HINWEIS: Während des Abtauzyklus wird das Wassereinlaß – Magnetventil aktiviert. Das Wasser fließt durch das Ventil zur Oberfläche der Verdampferplatte und dann abwärts, um die Auffangvorrichtung des Eisbereiters für den nächsten Gefrierzyklus zu füllen.

Betriebskontrolle

A. Die Einheit startet jetzt ihren ersten Gefrierzyklus, hierbei sind die folgenden Bestandteile in Betrieb:

Kompressor

Wasserpumpe

Ventilatormotor bei der luftgekühlten Version

B. Sehen Sie durch die Eisauswurföffnung, um sicherzustellen, daß das Sprühsystem korrekt montiert ist und daß die Wasserdüsen das Innere der Kegelformer gleichzeitig erreichen; stellen Sie ferner sicher, daß der Kunststoffvorhang frei hängt und daß nicht zu viel Wasser durch diesen hindurchdringt.

C. Das Eisbereitungsverfahren verläuft so, daß Wasser in die Former gesprüht wird und dann allmählich gefriert, wobei die Wärme an das Kühlmittel abgegeben wird, welches in die Verdunsterschlange geleitet wird.

D. In die Modelle 2006-2508-3008-3015-4015-5022, wenn die Verddampfertemperatur einen vorher festgelegten Wert erreicht, ändert der Verdampferthermostat oder die Würfelgrößensteuerung die Kontakte; der Gefrierzyklus endet und der Abtauzyklus beginnt.

Bei den Modelle 6022-7540-9040-9550 dreht sich der Timer nicht an Ende der Abtauphase. Er startet später, wenn der Verdampferthermostat-Fühler, in dem Verdampfer gestellt, die Temperatur von etwa -15°C (5F) erreicht.

E. Der Gefriervorgang dauert zwischen 20 und 22 Minuten bei einer Umgebungtemperatur von 21°C. Der Vorgang dauert länger, wenn die Temperatur höher ist, weniger lange, wenn die Temperatur niedriger ist. Ein durchschnittlich durchgeführter Zyklus dauert zwischen 23 und 25 Minuten.

F. Überprüfen Sie während des ersten Abtau- / Ausgabezyklus, daß das Wasser korrekt in die Auffangvorrichtung fließt und diese korrekt aufgefüllt wird. Das überschüssige Wasser muß in das Überfluß – Ablaufrohr geleitet werden.

G. Kontrollieren Sie die Beschaffenheit der frischen Eiswürfel. Die korrekte Größe muß eine kleine Vertiefung (ungefähr 4 - 5 mm) an der Oberseite aufweisen. Sollte dies nicht der Fall sein, warten Sie den zweiten Abtau- / Ausgabezyklus ab, bevor Sie Veränderungen vornehmen.

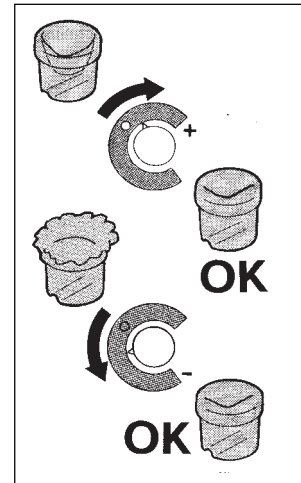
H. Sofern notwendig, bei den Modelle 2006-2508-3008-3015-4015 und 5022 kann die Länge des Gefrierzyklus durch Drehen des Verdampferthermostat auf der Vorderseite der Schalttafel

angepaßt werden, bis die gewünschte Größe erreicht wird.



• Wenn die Raumtemperatur, wo sich das Gerät befindet, unter 20°C liegt, werden die Würfel teilweise hohl sein (siehe Abbildung rechts).

• Wenn die Raumtemperatur, wo sich das Gerät befindet, höher als 30°C liegt, werden die hergestellten Würfel einen dickeren Eisrand um der "Krone" herum haben.



Wenn unbedingt notwendig kann die oben genannte Situation wie folgt abgeändert werden: in dem ersten Fall bei Drehung, im Uhrzeigersinn, des Kontrollknopfes (wenig oder mehr, wie man will) in dem zweiten Fall bei Drehung, im Gegenuhrzeigersinn (nach rechts) des Kontrollknopfes.

Es soll bemerkt werden dass wenn die Raumtemperatur später wieder auf 20-30°C sinkt, bei soll der Knopf wieder auf dem weissen Punkt gedreht werden (siehe Ab. unten).

Wenn die Eiswürfel flach und trüb sind, ist es möglich, daß der Eisbereiter gegen Ende des Gefrierzyklus mit zu wenig Wasser versorgt wird oder daß die Qualität des zufließenden Wassers den Einsatz eines entsprechenden Wasserfilters oder Conditioners erforderlich macht.

I. Halten Sie während des Ausgabezyklus' eine Handvoll Eiswürfel gegen den Temperaturfühler des Vorratsbehälterthermostats. Der Eisbereiter schaltet sich dann innerhalb von 1 bis 2 Minuten ab. Entnehmen Sie das Eis aus dem Vorratsbehälterthermostat. Der Eisbereiter nimmt innerhalb von 3 bis 4 Minuten den Betrieb automatisch wieder auf.

HINWEIS: Der Vorratsbehälterthermostat ist werkseitig eingestellt auf 1°C AUS und 4°C EIN.

K. Bringen Sie die Frontabdeckung der Einheit wieder an und weisen Sie dann den Eigentümer / Benutzer in den allgemeinen Betrieb des Eisbereiters ein, und informieren Sie ihn ferner über alle erforderlichen Reinigungs- und Wartungsmaßnahmen.



Betrieb

Funktionsweise des Eisbereiters

Im Eisbereiter wird das Wasser, das zur Eisherstellung benötigt wird, ständig von einer Wasserpumpe in Bewegung gehalten. Diese Wasserpumpe pumpt es zur Sprühsystemdüse, von wo aus es in die Kegelformer des Verdunsters geleitet wird (siehe Abb. A).

Eine geringe Menge des gesprühten Wassers friert zu Eis der Rest läuft bedingt durch die Schwerkraft kaskadenartig zurück in die Auffangvorrichtung darunter und kann so erneut in Umlauf gebracht werden.

Gefrierzyklus (Abb. B)

Das Heißgaskühlmittel, daß vom Kompressor abgeschieden wird, erreicht den Kondenser, wo es heruntergekühlt wird und in den flüssigen Zustand kondensiert. Es fließt dann in die Flüssigkeitsleitung und passiert den Trockner / Filter. Von dort aus fließt es bis zum Kapillarröhrchen, wo es seinen Druck verliert. Daraufhin gelangt das Kühlmittel in die Verdunsterschlange (diese weist einen größeren Durchmesser als das Kapillarröhrchen auf) und beginnt zu kochen. Dieser Vorgang wird noch unterstützt durch die Wärme die von dem Sprühwasser übertragen wird.

Das Kühlmittelvolumen erhöht sich, es wird vollständig zu Dampf. Der Kühldampf passiert den Saugakkumulator (dieser wird verwendet, um zu verhindern, daß kleine Mengen von flüssigem Kühlmittel in den Kompressor gelangen) und gelangt durch die Saugleitung. Sowohl im Akkumulator als auch in der Saugleitung gibt es die Wärme an das Kühlmittel ab, welches durch das Kapillarröhrchen fließt (Wärmer), bevor es in den Kompressor gesaugt wird und als heiß komprimiertes Kühlmittelgas wieder in Umlauf gelangt.

Der Gefrierzyklus der 2006-2508-3008-3015-4015-5022 Modelle wird vom Verdunsterthermostat gesteuert dessen Temperaturfühler in Berührung mit der Verdunsterschlange steht, während in den 6022-7540-9040-9550 Modelle gibtes eine zweite Phase von dem Timer gesteuert.

Die elektrischen Komponenten, die während des Gefrierzyklus in Betrieb sind, sind folgende:

Kompressor

Wasserpumpe

Ventilatormotor (bei der luftgekühlten Version)

Bei den 2006 und 2508 luftgekühlten Versionen ist der Kühlmitteldruck allmählich von ungefähr 11 bar (155 psig) zu Beginn des Gefrierzyklus mit einer Einheit bei 21°C Umgebungstemperatur auf einen Mindestwert von ungefähr 7 bar (100 psig) während der letzten Sekunden kurz vor Ende des Gefrierzyklus und bevor der Abtauzyklus beginnt gesenkt.

Bei den 3008-3015-4015-5022 luftgekühlten Versionen ist der Kühlmitteldruck allmählich von ungefähr 19,5 bar zu Beginn des Gefrierzyklus mit einer Einheit bei 21°C Umgebungstemperatur auf einen Mindestwert von ungefähr 13 bar

während der letzten Sekunden kurz vor Ende des Gefrierzyklus und bevor der Abtauzyklus beginnt gesenkt.

Bei den 6022-7540-9040-9550 Versionen der hochdruck Kühlmittel ist zwischen zwei vorherbestimmten Werte eingehalten (17÷13.5 bar), mit der Maschine in einer Raumtemperatur von 21°C.

Das Sinken des Drucks hängt mit der Reduzierung des Verdunstungsdrucks zusammen, der von dem progressiven Wachstum der Eisstärke in den Kegelformern und dem vom Ventilator kommenden Luftstroms durch den luftgekühlten Kondenser verursacht wird. Die oben aufgeführten Werte sind direkt abhängig von der Umgebungstemperatur des Eisbereiter-standorts. Die Werte steigen, wenn die Umgebungstemperatur sich erhöht.

Bei den 2006 und 2508 wassergekühlten Versionen (R134a) liegt der Kühlmitteldruck zwischen 8,5 und 10 bar. Der Druck wird gesteuert durch eine automatische Hochdrucksteuerung, die ein Wassereinlaß - Magnetventil an der Wasserleitung zum Kondenser, durch die das Kühlwasser zum Kondensator gelangt, betätigt.

Bei den 3008-3015-4015-5022 und 6022 wassergekühlten Versionen (R404a) liegt der Kühlmitteldruck zwischen 12 und 17 bar. Der Druck wird gesteuert durch eine automatische Hochdrucksteuerung, die ein Wassereinlaß - Magnetventil an der Wasserleitung zum Kondenser, durch die das Kühlwasser zum Kondensator gelangt, betätigt.

Bei den 7540-9040 und 9550 wassergekühlten Modelle ist der Hochdruck regelmässig bei 15 bar, von dem Wasserreguliertventil kontrolliert.

Zu Beginn des Gefrierzyklus sinkt die Ansaugung des Kühlmittels oder der Niedrigdruck schnell auf 1,0 bar (2006 und 2508) und 2.5-3 bar in allen anderen Modellen danach fällt der Druck allmählich ab – in direktem Bezug zur wachsenden Eisstärke – um schließlich gegen Ende des Zyklus ungefähr 0 + 0,1 bar (2006 und 2508) und 1.4-1.5 bar für die anderen Modelle wenn die Eiswürfel im Kegelformer vollkommen ausgeformt sind. Die Gesamtlänge des Gefrierzyklus liegt zwischen 23 und 25 Minuten.

Abtau- oder Ausgabezyklus (Abb. D)

Bei den 2006-2508-3008-3015-4015 und 5022 Modelle, wenn die Temperatur des Verdampferthermostats, der sich in Berührung mit der Verdunsterschlange befindet, auf einen vorher eingestellten Wert fällt, ändern sich hierdurch die elektrischen Kontakte, so daß folgende Komponenten aktiviert werden (Bei den 6022-7540-9040 und 9550 Modelle, wenn der Mikroschalter des Timers in der unteren Seite des Nockens fällt, ändert dieser seine elektrische Kontakte und aktiviert die selben Bestandteilen):

Kompressor

Wassereinlaß – Magnetventil

Heißgas – Magnetventil

Das zufließende Wasser fließt zunächst durch das Wassereinlaß - Magnetventil und die Flußsteuerung, läuft über die Verdunsterplatte und wird dann von der Schwerkraft durch die Tropflöcher in die Auffangvorrichtung / den Behälter (Abb. C) gelenkt.

Durch das Wasser, das in die Auffangvorrichtung / den Behälter gelangt, wird das überschüssige Wasser des vorherigen Gefrierzyklus verdrängt und fließt in das Überflußrohr. Dieser Überfluß begrenzt das Niveau der Wasserauffangvorrichtung. Das aufgefangene Wasser wird dazu verwendet, um den nächsten Satz Eiswürfel zu produzieren.

Das Kühlmittel wird als Heißgas vom Kompressor abgeschieden und gelangt durch das Heißgas – Magnetventil direkt in die am Kondensator vorbeiführende Verdunsterschlange.

Der Heißgasumlauf in die Verdunsterschlange erwärmt die Kupferformen, so daß die Eiswürfel ausgeworfen werden. Die aus den Kegelformern ausgeworfenen Eiswürfel fallen durch die Schwerkraft auf eine geneigte Würfelfrutsche, gelangen durch die Öffnung mit dem Vorhang und fallen in den Eiswürfel – Vorratsbehälter. Bei den 2006-2508-3008-3015-4015 und 5022 Modelle wenn die Temperatur des Temperaturfühlers des Verdunsterthermostats eine Höhe von $+3 \pm 4^{\circ}\text{C}$ erreicht, werden dessen elektrische Kontakte zurück auf die vorherige Position bewegt und ein neuer Gefrierzyklus wird aktiviert. Sowohl das Heißgas - als auch das Wassereinlaß - Magnetventil werden deaktiviert (geschlossen). Bei den 6022-7540-9040 und 9550 Modelle, wenn der Mikroschalter des Timers die untere Seite des Nockens beendet ist und wieder betätigt wird, eine neue Gefrierphase beginnt (Heißgasventil und Magnetventil werden deaktiviert - geschlossen).

HINWEIS: Bei den 2006-2508-3008-3015-4015 und 5022 Modelle die Länge des Abtau- / Auswurfzyklus' ist abhängig (nicht einstellbar) von der Umgebungstemperatur (kürzer bei hoher Umgebungstemperatur und länger bei niedriger Umgebungstemperatur).

Beschreibung der Komponenten

A. Wasserpumpe

Die Wasserpumpe arbeitet kontinuierlich während des Gefrierzyklus'. Die Pumpe pumpt das Wasser aus der Auffangvorrichtung in das Sprühsystem. Durch die Sprühdüsen wird das Wasser in die Kegelformer gesprüht, wo es zu kristallklaren Eiswürfeln gefriert.

B. Wassereinlaß - Magnetventil - 3/4" Steckverbindungsstück

Das Wassereinlaß - Magnetventil wird nur während des Abtauzyklus aktiviert.

Wenn es aktiviert ist, läßt es eine bestimmte Menge zufließenden Wassers über die Verdunstervertiefung fließen, um somit zusammen mit dem Heißgas für das Abtauen des Eises zu sorgen. Das Wasser, daß über die Verdunstervertiefung läuft, tropft, bedingt durch die Schwerkraft, durch die Tropflöcher der Platte in die Auffangvorrichtung.

Bei den 2006-2508-3008-3015-4015-5022 und 6022 wassergekühlten Versionen ist das Wassereinlaß - Magnetventil mit einem Einlaß und zwei Auslässen mit zwei voneinander getrennten Topfmagneten ausgestattet, wobei der erste (für die Eisproduktion) durch die Kontakte 3 – 2 des Verdunsterthermostats

aktiviert wird und der zweite (wassergekühlter Kondensator) durch eine spezielle Hochdrucksteuerung.

C. Heißgas – Magnetventil

Das Heißgas – Magnetventil besteht hauptsächlich aus zwei Teilen: Dem Ventilkörper und der Ventilschule. Das Heißgas - Magnetventil befindet sich an der Heißgasleitung und wird von den Kontakten 3 – 2 des Verdunsterthermostats während des Abtauzyklus aktiviert. Während des Abtauzyklus wird das die Heißgas – Ventilschule aktiviert, und zieht somit den Kolben des Heißgas – Magnetventils an. Hierdurch kann das Heißgas, das vom Kompressor abgeschieden wird, direkt in die Verdunsterschlange gelangen, um dort die geformten Eiswürfel durch Antauen zu lösen.

D. Vorratsbehälterthermostat

Das Steuerteil des Vorratsbehälterthermostats befindet sich vorne auf der Schalttafel hinter der abnehmbaren Abdeckung.

Das Fühlrohr des Thermostats befindet sich in einem Temperaturfühlerhalter an der Seitenwand des Eisauffangbehälters, wo es den Eisbereiter automatisch abschaltet, wenn der Fühler in Berührung mit dem Eis kommt und den Eisbereiter automatisch wieder aktiviert, wenn das Eis entfernt wird. Die werkseitigen Einstellungen sind 1°C AUSSCHALTEN und 4°C EINSCHALTEN.

E. Würfelgrößensteuerung (Verdampferthermostat)

2006-2508-3008-3015-4015-5022

Die Würfelgrößensteuerung (Verdampferthermostat) sitzt vorne auf der Schalttafel hinter der abnehmbaren Abdeckung. Sie ist hauptsächlich eine umgekehrt fungierende Temperatursteuerung, die die Kontakte 3 – 2 schließt, wenn die Temperatur fällt und die gegenüberliegenden Kontakte 3 – 4 schließt, wenn die Temperatur steigt.

Der Temperaturfühler befindet sich in einem Kunststoffrohr (Fühlerhalter), der von zwei Klemmen direkt an der Verdunsterschlange befestigt ist. Diese Steuerung bestimmt die Länge des Gefrierzyklus und demzufolge auch die Größe der Eiswürfel.

Eine niedrigere Einstellung resultiert in größeren Eiswürfeln (Übergröße) während eine höhere Einstellung geringere Eiswürfeln (flache Würfel) zur Folge hat. Wenn die Kontakte 3 – 2 geschlossen sind, aktiviert sie die Komponenten des Abtau- oder Auswurfzyklus'.

Die Würfelgrößensteuerung wird werkseitig eingestellt (Knopf in der Position mit dem schwarzen Punkt) und muß nicht weiter eingestellt werden, sofern die Temperaturanforderungen zwischen 20 und 30°C eingehalten werden (70 und 90°F)

6022-7540-9040-9550

Der Verdampferthermostat mit seinem empfindlichen Fühler in Kontakt mit dem Aussenrohr des Verdampfers "liest" die Kühlmittel-Verdampfungstemperatur (die während der Gefrierphase sinkt) und wenn diese den

vorherbestimmten Wert erreicht, schaltet er seine Kontakte von 3-4 an 3-2, um die Endphase (2^e Phase) zu aktivieren. Diese 2^e Phase hat eine vorherbestimmte Dauer, durch die Diameterbreite der Kreislinie des Timernockens bestimmt ist.

F. Ventilatormotor (luftgekühlte Version)

Modelle 2006-2508-3008-3015-4015 und 5022 der Ventilatormotor ist elektrisch mit der Wasserpumpe parallelgeschaltet und arbeitet kontinuierlich während des Gefrierzyklus, um den richtigen Druck durch die Luftzirkulation durch die Kondenserrippen zu gewährleisten. Bei 6022-7540-9040 und 9550 der Betrieb des Ventilatormotors ist durch ein Pressostat, an vorherbestimmten Werte eingestellt, kontrolliert.

G. Kompressor

Der hermetisch versiegelte Kompressor ist das Kernstück des Kühlmittelsystems. Er wird verwendet, um das Kühlmittel im gesamten System umlaufen zu lassen und zum Schluß wieder aufzufangen. Er komprimiert den Niederdruck – Kühldampf, läßt dessen Temperatur somit steigen und wandelt den Niederdruck – Kühldampf in Hochdruck – Heißdampf (Heißgas), welcher durch das Abgabeventil abgelassen wird.

H. Wassersprühsystem

Durch die Düsen dieses Systems wird das Wasser in jede einzelne Kegelform gesprüht, wo es zu Eis gefriert.

I. Hochtemperatur – Sicherheitsthermostat

Der Thermostat befindet sich unten an der Schalttafel. Er ist ein manueller Rückstellschalter, der auslöst und den Betrieb der Eismaschine unterbricht, wenn der Temperaturfühler (der sich an der Leitung vor dem Trockner befindet), eine Temperatur von 70°C erreicht.

J. Reinigungsschalter (nur 2006-2508-3008-3015-4015-5022)

Er befindet sich unten links an der Schalttafel und wird verwendet, um das Wassereinlaß – und das Heißgas – Magnetventil zu betätigen, so daß das Wasser in die Auffangvorrichtung der Maschine gelangen kann.

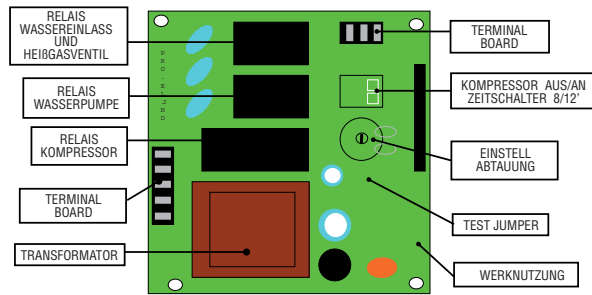
K. Hochdrucksteuerung (2006-2508-3008-3015-4015-5022-6022 Wassergekühlte Version)

Diese Steuerung wird nur in wassergekühlten Versionen verwendet. Bei zwischen 8,5 und 10 bar (2006 und 2508) und zwischen 12 und 17 bar sorgt sie dafür, daß der Druck des Kühlmittelsystems gehalten oder gesenkt wird, indem sie die Spule des Wassereinlaß – Magnetventils, das wiederum den Fluß des Kühlwassers zum Kondensator steuert, aktiviert.

L. Hauptschalter (nur 6022-7540-9040-9550)

Befindet sich in dem Schaltkasten, schaltet das Gerät ein-aus.

M. Platine (nur 6022-7540-9040-9550)



Die Platine hat zwei DIP-Schalter und ein Potentiometer für die Einstellung der zweiten Gefrierphase und der Abtauphase.

Diese Zeiten sind Werksseitig bereits eingestellt. Der erste Schalter (Kompressor Schalter), ersetzt die frühere elektomechanische version, Werkseinstellung AN um im Normalbetrieb den Kompressor mit Spannung zu versorgen. Steht der Schalter auf AUS, läuft nur die Wasserpumpe. Erforderlich für die Reinigung. Der zweite Schalter ist für die Zeiteinstellung Ta des Gefrierzyklus bezugnehmend auf das Modell der Eismaschine

Werkseinstellung der DIP-Schalter

	N. 1	N. 2
6022	EIN	EIN
7540 - 9040	EIN	EIN
9550	EIN	EIN

Funktionen Schalter 1 & 2

	N. 1	N. 2
ON	Standard Kompressor AN	Ta = 12'
OFF	Reinigung Kompressor AUS	Ta = 8'

Das Potentiometer wird verwendet um die Abtauzeit einzustellen und ist Werksseitig auf das jeweilige Model bereits eingestellt. Die Abtauzeit kann eingestellt werden von 60" bis 180" im Uhrzeigersinn.

N. Lüfter-Pressostat (nur 6022-7540-9040-9550)
Verwendet auf Luftgekühlte Modelle, hält den Hochdruck zwischen der vorherbestimmten Werte ein.

O. Wasserreguliertventil (nur 7540-9040-9550 wassergekühlt)

Dieses Ventil steuert den Hochdruck im Kältemittelkreislauf, bei Regulierung der Wassermenge zu dem Kondensator. Wenn der Druck steigert, öffnet sich das Ventil um den Wasserstrom zu erhöhen.

P. Fernschalter (nur 6022-7540-9040-9550)
Schliesst oder öffnet den elektrischen Kreis zu dem Kompressor.

Anweisungen zur Wartung und Reinigung

Anweisungen zur Reinigung des Wassersystems

1. Entfernen Sie die vordere und obere Abdeckung, um Zugang zur Schalttafel und zum Verdampfer ermöglichen.
2. Stellen Sie sicher, daß alle Eiswürfel aus Ihren Kegelformen gelöst worden sind. Das Gerät durch den Hauptschalter.
3. Entfernen Sie alle Eiswürfel, die sich noch im Vorratsbehälter befinden, damit sie nicht mit der Reinigungslösung kontaminiert werden.
4. Das Kunststoffteil in der unteren Seite des Gefriergehäuses beseitigen um den das ganze Wasser und Kalkablagerung zu entfernen.
5. Die Jalousie beseitigen, und mit einer Flasche frisches Wasser in der unteren Seite des Gefriergehäuses spülen.
6. Die Jalousie sowie das Kunststoffteil wieder einsetzen.
7. Für alle Modelle, das Wasser von dem Behälter/Reservoir, durch die Entfernung des Ueberlaufschlauch, rausfließen lassen.
8. Bereiten Sie eine Reinigungslösung vor, indem Sie einen oder zwei Liter warmes Wasser (45° - 50°C) mit 0,2 Liter Eismaschinen-reiniger verdünnen.

WARNUNG: Der Eismaschinenreiniger enthält Phosphor und Hydroxysäure. Diese Bestandteile sind korrodierend und können Verbrennungen verursachen, wenn Sie geschluckt werden. Sollte dies der Fall sein, forcieren Sie nicht künstlich ein Übergeben. Geben Sie große Mengen Wasser oder Milch zu trinken. Rufen Sie sofort einen Arzt. Bei einem Hautkontakt spülen Sie die entsprechende Stelle mit Wasser ab. HALTEN SIE DAS REINIGUNGSMITTEL AUSSER REICHWEITE VON KINDERN!

9. Entfernen Sie die Abdeckung des Verdunstens und gießen Sie dann die Reinigungslösung langsam über die Verdunsterplatte. Lösen Sie die hartnäckigsten Schmutz- und Kalkablagerungen von der Platte.

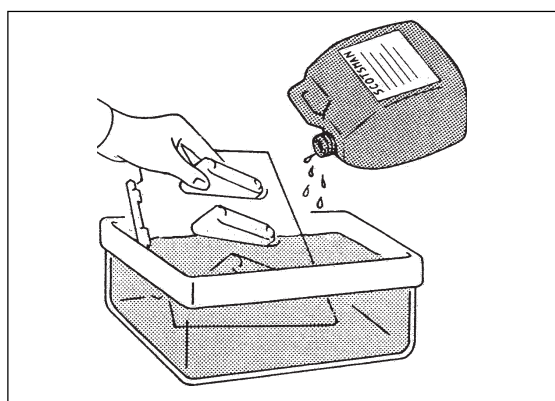
2006-2508-3008-3015-4015-5022

1. Das Gerät wieder durch dem Hauptschalter einschalten um die Eisproduktion beginnen zu lassen. Lassen Sie den Eisbereiter ungefähr 20 Minuten lang arbeiten. Drehen Sie dann den Reinigungsschalter in die Position "Reinigen", bis die Eiswürfel aus ihren Kegelformen gelöst sind (II).

HINWEIS: Die Menge an Reinigungsmittel und die Zeit, die für die Reinigung des Wassersystems benötigt wird, hängt vom Wasserzustand ab.

2. Drehen Sie den Würfelgrößen - Steuerungsknopf entgegen dem Uhrzeigersinn in die Position OFF (AUS), um den Eisbereiter auszuschalten. Spülen Sie dann die Reinigungslösung aus der Auffangvorrichtung. Danach gießen Sie zwei bis drei Liter reinen Trinkwassers in die Verdunstervertiefung, um die Kegelformen und die Platte abzuspülen.

3. Gegebenenfalls entfernen Sie die Wassersprühplatte und reinigen diese separat.



4. Drehen Sie den Würfelgrößen – Steuerungsknopf wieder in die normale Betriebsposition (schwarzer Punkt). Die Wasserpumpe nimmt den Betrieb auf und läßt Wasser umlaufen, um das gesamte Wassersystem zu reinigen. Führen Sie die Schritte 8 und 9 zweimal aus, um sicherzustellen, daß keine Spuren von Entkalkerbzw. Reinigungslösung mehr in der Auffangvorrichtung vorhanden sind. Gießen Sie frisches Wasser unter Zugabe einer Kappe Desinfizierungslösung auf die Oberseite der Verdunsterplatte. Bringen Sie die Maschine erneut in normalen Betrieb, um das ganze Wassersystem ungefähr 10 Minuten lang zu desinfizieren.

HINWEIS: Mischen Sie die Reinigungs- bzw. Entkalkungslösung nicht mit der Desinfektion-lösung, es könnte sich ansonsten eine sehr aggressive Säure bilden.

5. Spülen Sie die Desinfizierungslösung aus der Auffangvorrichtung. Stellen Sie sicher, daß sich der Reinigungsschalter in der Position "Reinigung" befindet und drehen sie den Würfelgrößen – Steuerungsknopf in die normale Betriebsposition. Wenn das Wasser anfängt, durch die Abflußleitung zu fließen, setzen Sie den Reinigungsschalter wieder zurück in die Betriebsstellung. Die Einheit ist jetzt bereit für den normalen Betrieb.

6022-7540-9040-9550

1. Schalten Sie das Gerät am Hauptschalter und verschieben Sie dann den ersten Dip Switch Schalter in die Position OFF.

Auf diese Weise wird der Kompressor nicht angetrieben werden, und die einzige Komponente in Betrieb während der Waschphase wird werden Wasserpumpe sein.

2. Lassen Sie das Gerät etwa 20 Minuten in der Gefrierphase arbeiten. Kein Eis wird produziert da der Kompressor nicht in Betrieb ist.

3. An Ende dieser Zeit den Hauptschalter auf OFF stellen, um das Gerät auszuschalten.

4. Der Überlauf-ablauf Schlauch entfernen um die Reinigungslösung und die Mineralreste durch den Ablaufrohr rausfließen zu lassen; dann den Überlaufschlauch wieder einsetzen.

5. Giessen Sie 2-3 Liter frisches Wasser auf den Verdampfer um die Platte zu spülen.

6. Wenn nötig die Wassersprühplatte separat entfernen und reinigen.

7. Stellen Sie wieder den Hauptschalter auf ON. Die Wasserpumpe ist wieder aktiviert und somit das Wasser den kompletten Wasserkreislauf spült.

8. Giessen Sie frisches Wasser unter Zugabe einer kappe Desinfizierungslösung auf die obere Seite der Verdampfungsplatte und das Gerät erneut in Betrieb setzen um das ganze Wassersystem etwa 10 Minuten lang desinfizieren.

HINWEIS: *Mischen sie die Reinigungs-bzw. Entkalkungslösung nicht mit der Desinfektionslösung, es könnte sich ansosten eine seht aggressive Säure bilden.*

9. Schalten Sie das Gerät und laden Sie die Desinfektionslösung aus dem Tank.

10. Stellen Sie den Netxschalter auf ON.

11. Hassen Sie die Maschine ein komplettes Abtauen um den Wassertank zu füllen.

12. Wenn das Abgas aus dem Wasser Start des Verdichters Inbetriebnahme des ersten Dip Switch Schalter auf ON, um so in Betrieb das Gerät anrufen, um.

13. Diee Maschinen, und nun bereit für den automatischen Betrieb und kontinuierliche.

14. Montieren Sie die Verdunsterabdeckung und die Wartungsabdeckungen der Einheit.

15. Nachdem der Gefrier- und der Auswerfzyklus abgeschlossen sind, stellen Sie sicher, daß die Eiswürfel die richtige Konsistenz und Transparenz aufweisen und daß sie keine sauren Geschmack haben.

ACHTUNG: *Wenn die Eiswürfel trüb sind und einen sauren Geschmack haben, schmelzen Sie sofort durch Begießen mit warmem Wasser. Dies verhindert, daß diese Eiswürfel von jemandem anders verwendet werden.*

16. Wischen Sie die Innenflächen des Vorratsbehälters sauber und spülen Sie sie nochmals ab.

ERINNERUNG: *Um die Sammlung von unerwünschten Bakterien zu verhindern ist es notwendig, das Innere des Vorratsbehälters einmal pro Woche mit einem Anti-Algen-Desinfizierungsmittel auszuwischen.*