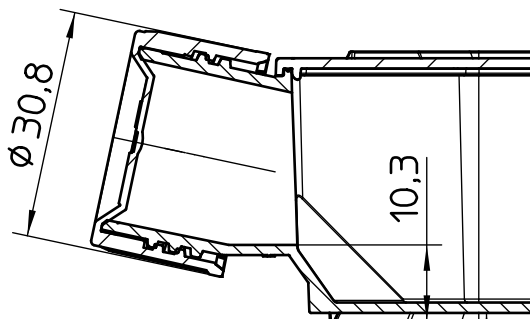
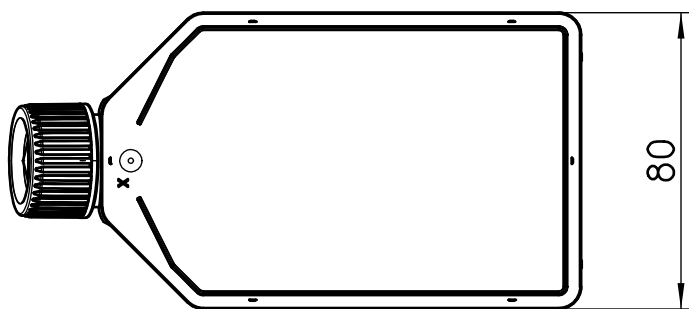
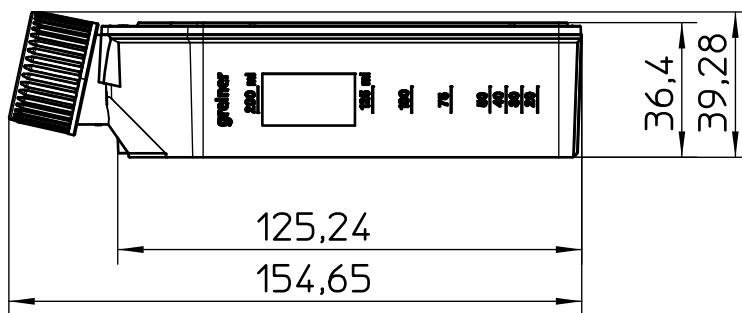


Valid for Item-No.: 658170, 658175, 658190, 658195, 658175-907, 658170-TRI, 658175-TRI, 658190-TRI, 658195-TRI



Curvature +0,6
-0,1




"All dimensions in mm"

Customer drawing subject to change without notice!

Uncontrolled Copy

Prior Issue	Drawn	Approved	Released	CONFIDENTIAL: Information contained in this document or drawing is confidential and proprietary to Greiner Bio-One GmbH. This document may not be reproduced for any reason without written permission from Greiner Bio-One GmbH. All rights of design, invention, and copyright are reserved.
Revision 5	Date 2011/03/04	Date 2017/02/02	Date 2017/02/02	
Date 2016/12/01	Name forb	Name schwarzj	Name sonntag	

PDS No. 6581xx / 6581xx-TRI	PRODUCT DATA SHEET				Page 1 of 2
Revision 11	Cell Culture Flask, CELLSTAR®, 250 ml				
	Greiner Item-No. 6581xx / 6581xx-TRI				
Valid for Item-No.:	658170 (sterile)	658175 (sterile)	658190 (sterile)	658195 (sterile)	
	658170-TRI (sterile)	658175-TRI (sterile)	658190-TRI (sterile)	658195-TRI (sterile)	


1.	Description / Specification	
1.1	Description	Cell Culture Flask, 250 ml, canted neck, printed graduation and labelling field on the side (scale 20-125 ml), sterile <i>658170</i> : physical surface treatment, standard screw cap* <i>658170-TRI</i> : physical surface treatment, standard screw cap*, triple packed <i>658175</i> : physical surface treatment, filter cap <i>658175-TRI</i> : physical surface treatment, filter cap, triple packed <i>658190</i> : hydrophobic surface for suspension culture, standard screw cap* <i>658190-TRI</i> : hydrophobic surface for suspension culture, standard screw cap*, triple packed <i>658195</i> : hydrophobic surface for suspension culture, filter cap <i>658195-TRI</i> : hydrophobic surface for suspension culture, filter cap, triple packed * with ventilation position
1.2	Dimensions	<u>Flask</u> : see Customer Drawing <i>658175, 175-TRI, -195, -195-TRI</i> : pore size of filter membrane: 0.2 µm
1.3	Volume	Max. volume: 250 ml <i>658170, -170-TRI, -175, -175-TRI</i> : - working volume: 15-38 ml - growth area: 75 cm ²
1.4	Material / Resin	<u>Flask</u> : PS (Polystyrene), free of heavy metal <u>Cap</u> : HDPE (High Density Polyethylene), free of heavy metal <u>Filter</u> : PET (Polyethylene Terephthalate), free of heavy metal
1.5	Colour	<u>Flask</u> : clear; <u>Print</u> : white <i>658170, -170-TRI, -175, -175-TRI</i> : <u>Cap</u> : red <i>658190, -190-TRI, -195, -195-TRI</i> : <u>Cap</u> : white <i>658175, -175-TRI, -195, -195-TRI</i> : <u>Filter</u> : white
1.6	Sterilization	<i>658170, -175, -190, -195</i> : SAL 10 ⁻³ <i>658170-TRI, -175-TRI, -190-TRI, -195-TRI</i> : SAL 10 ⁻⁶
1.7	Quality Control	- <u>Raw Material-Control</u> : physical testing - <u>Product-Control</u> : testing of attributive and variable characteristics in accordance with the valid specification
1.8	Intended Use	General laboratory product for cell culture to be used by qualified personnel in a laboratory environment.
1.9	Other Information	- For single use only - Expiry date and Lot-No. printed on bottom of flask <i>658190, -190-TRI, -195, -195-TRI</i> : additional "Suspension" printed on bottom of flask

2.	Features	
2.1	Basic features	Free of detectable DNase/RNase, human DNA and pyrogens. Contents non-cytotoxic
2.2	Temperature range	For application: -20°C to +60 °C
2.3	Autoclavability	No
2.4	Centrifugation, max. RCF	N/A
2.5	Chemical Resistance	See homepage: https://www.gbo.com/en_INT/know-how-services/download-center.html
2.6	Shelf life	<i>658170, -170-TRI, -175, -175-TRI</i> : 4 years <i>658190, -190-TRI, -195, -195-TRI</i> : 5 years
2.7	Other Information	-

Data Sheet subject to change without notice!

Prior Issue	Drawn	Approved	Released	CONFIDENTIAL: Information contained in this document or drawing is confidential and proprietary to Greiner Bio-One GmbH. This document may not be reproduced for any reason without written permission from Greiner Bio-One GmbH. All rights of design, invention, and copyright are reserved.
Revision 10	Date 17 December 2020	Date 18 January 2021	Date 25 February 2021	
Date 21.06.2017	Name S. Kaelberer	Name R. Daum	Name A. Illig	

DISCLAIMER: The description of a certain product can only be considered as a guidance, because its performance ultimately depends on what the product is used for. Very often performance studies are indispensable.

PDS No. 6581xx / 6581xx-TRI	PRODUCT DATA SHEET			Page 2 of 2
Revision 11	Cell Culture Flask, CELLSTAR [®] , 250 ml			
	Greiner Item-No. 6581xx / 6581xx-TRI			
Valid for Item-No.:	658170 (sterile)	658175 (sterile)	658190 (sterile)	658195 (sterile)
	658170-TRI (sterile)	658175-TRI (sterile)	658190-TRI (sterile)	658195-TRI (sterile)

3.	Packaging	658170, -175, -190, -195	658170-TRI, -175-TRI, -190-TRI, -195-TRI
3.1	Pieces / Bag	5	5 (triple packed)
3.2	Pieces / Box	120	90
3.3	Lot-No.	E YY MM XXX (manufacturing facility, year, month, consecutive SAP-No.)	
3.4	Other Information	Certificate of Quality to download	

4.	Other Information
4.1	Laboratory use only

Data Sheet subject to change without notice!

Prior Issue	Drawn	Approved	Released	CONFIDENTIAL: Information contained in this document or drawing is confidential and proprietary to Greiner Bio-One GmbH. This document may not be reproduced for any reason without written permission from Greiner Bio-One GmbH. All rights of design, invention, and copyright are reserved.
Revision 10	Date 17 December 2020	Date 18 January 2021	Date 25 February 2021	
Date 21.06.2017	Name S. Kaelberer	Name R. Daum	Name A. Illig	

DISCLAIMER: The description of a certain product can only be considered as a guidance, because its performance ultimately depends on what the product is used for. Very often performance studies are indispensable.