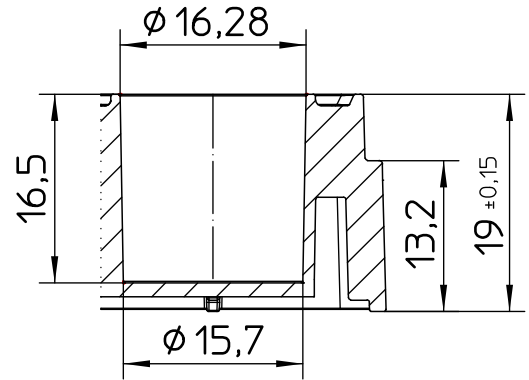
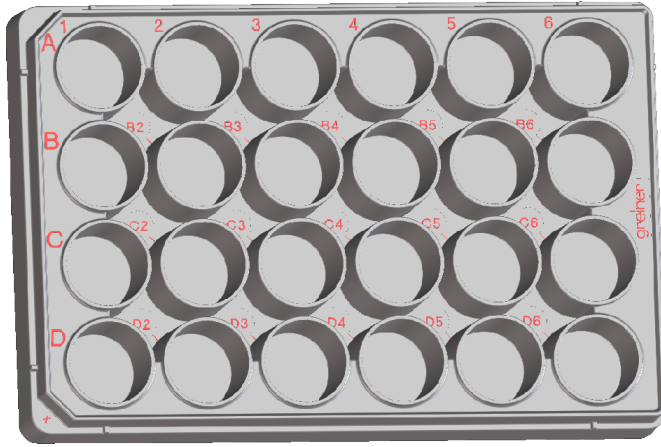
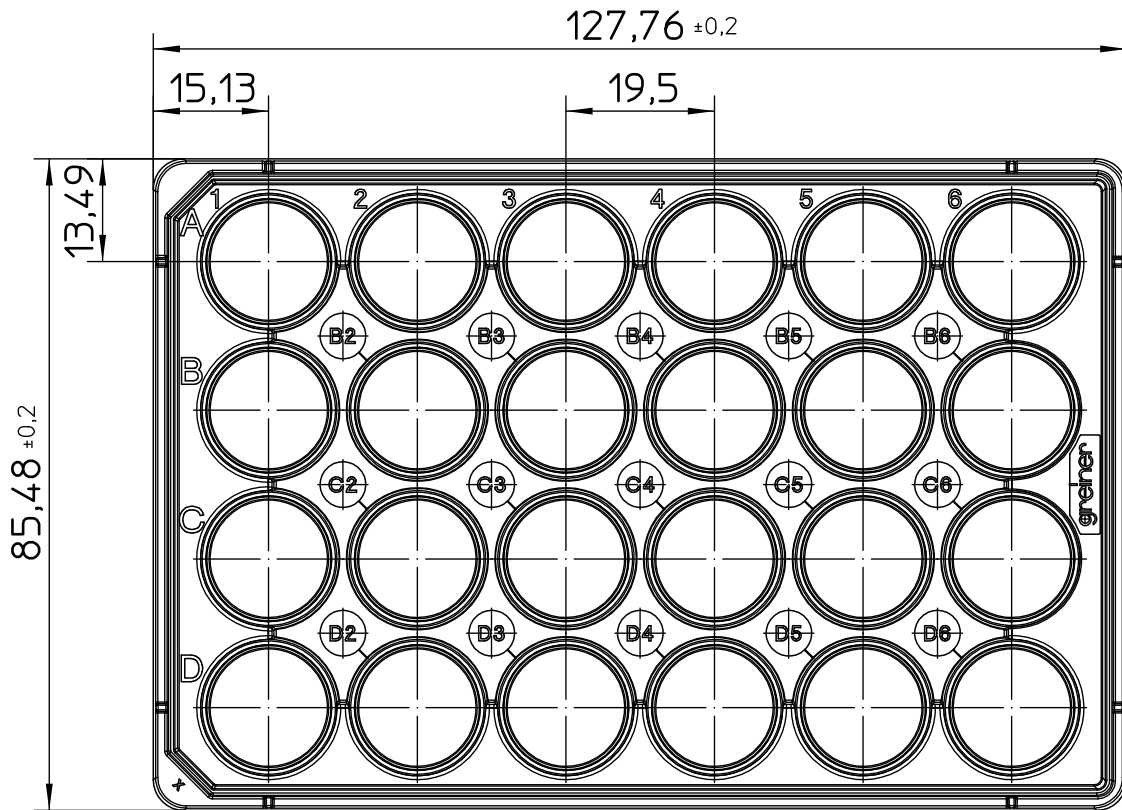
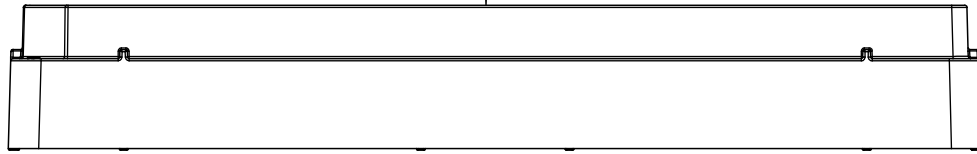


Valid for Item-No.: 662102, 662160



Curvature max.0,2



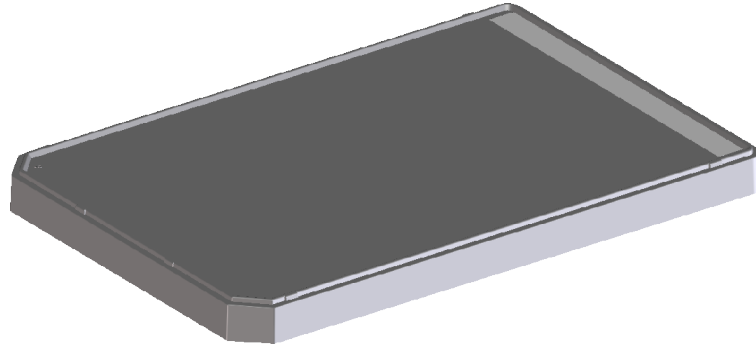
"All dimensions in mm"

Customer drawing subject to change without notice!

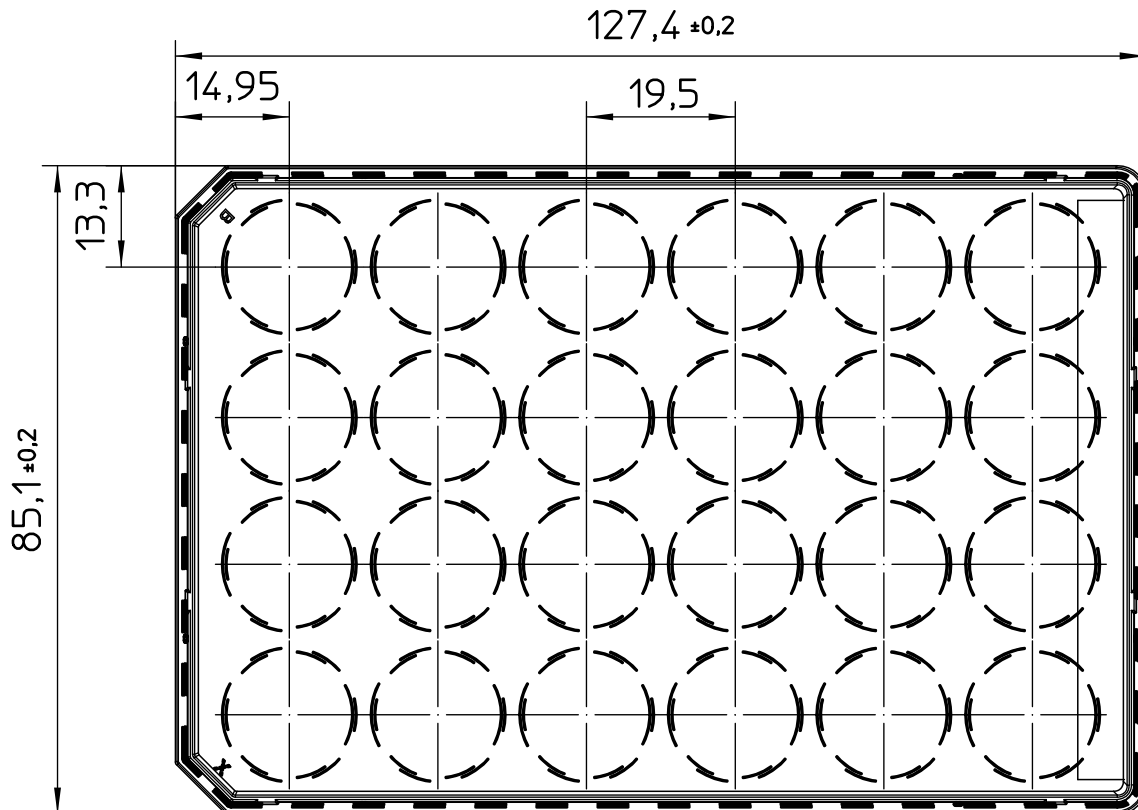
Uncontrolled Copy

Prior Issue	Drawn	Approved	Released	CONFIDENTIAL: Information contained in this document or drawing is confidential and proprietary to Greiner Bio-One GmbH. This document may not be reproduced for any reason without written permission from Greiner Bio-One GmbH. All rights of design, invention, and copyright are reserved.
Revision 6	Date 2011/04/18	Date 2017/01/31	Date 2017/01/31	
Date 2016/08/25	Name forb	Name schwarzj	Name sonntag	

Valid for Item-No.: 662102, 662160



Curvature +0,3
-0,1




"All dimensions in mm"

Customer drawing subject to change without notice!

Uncontrolled Copy

Prior Issue	Drawn	Approved	Released	CONFIDENTIAL: Information contained in this document or drawing is confidential and proprietary to Greiner Bio-One GmbH. This document may not be reproduced for any reason without written permission from Greiner Bio-One GmbH. All rights of design, invention, and copyright are reserved.
Revision 6	Date 2011/04/18	Date 2017/01/31	Date 2017/01/31	
Date 2016/08/25	Name forb	Name schwarzej	Name sonntag	

PDS No. 662102/ 662160	PRODUCT DATA SHEET			Page 1 of 1
Revision 05	24 Well Cell Culture Multiwell Plate, CELLSTAR®			 greiner bio-one
	Greiner Item-No. 662102/662160			
Valid for Item-No.:	662102 (sterile)	662160 (sterile)		

1.	Description / Specification	
1.1	Description	PS Plate, 24 well, each well with a flattened, raised ring to reduce cross contamination, chimney well, flat bottom, alphanumeric well coding, single position lid with condensation rings, sterile 662102: hydrophobic surface (without treatment) 662160: physical surface treatment
1.2	Dimensions	See customer drawing
1.3	Volume per well	Total volume: 3,3 ml (mathematically calculated) 662160: - working volume: 0,5-1,5 ml - growth area: 1,9 cm ²
1.4	Material / Resin	<u>Plate</u> : PS (Polystyrene), free of heavy metal <u>Lid</u> : PS (Polystyrene), free of heavy metal
1.5	Colour	<u>Plate</u> : clear <u>Lid</u> : clear
1.6	Sterilization	SAL 10 ⁻³
1.7	Quality Control	- <u>Raw Material-Control</u> : physical testing - <u>Product-Control</u> : testing of attributive and variable characteristics in accordance with the valid specification
1.8	Other Information	For single use only

2.	Features	
2.1	Basic features	Free of detectable DNase/RNase, human DNA and pyrogens. Contents non-cytotoxic
2.2	Temperature range	-20°C to +60°C
2.3	Autoclavability	No
2.4	Centrifugation, max. RCF	4800 x g: swinging-bucket rotor
2.5	Chemical Resistance	See homepage: https://www.gbo.com/en_INT/know-how-services/download-center.html
2.6	Shelf life	662102: 5 years after month of production 662160: 4 years after month of production
2.7	Other Information	-

3.	Packaging	
3.1	Pieces / Bag	1
3.2	Pieces / Box	100
3.3	Lot-No.	E YY MM XXX (manufacturing facility, year, month, consecutive SAP-No.)
3.4	Other Information	Certificate of Quality

4.	Other Information
	-

Data Sheet subject to change without notice!

Prior Issue	Drawn	Approved	Released	CONFIDENTIAL: Information contained in this document or drawing is confidential and proprietary to Greiner Bio-One GmbH. This document may not be reproduced for any reason without written permission from Greiner Bio-One GmbH. All rights of design, invention, and copyright are reserved.
Revision 04	Date 1 December 2014	Date 2 December 2014	Date 2 December 2014	
Date 14.12.2009	Name S. Kaelberer	Name Dr. R. Heller	Name A. Schulz	

DISCLAIMER: The description of a certain product can only be considered as a guidance, because its performance ultimately depends on what the product is used for. Very often performance studies are indispensable.