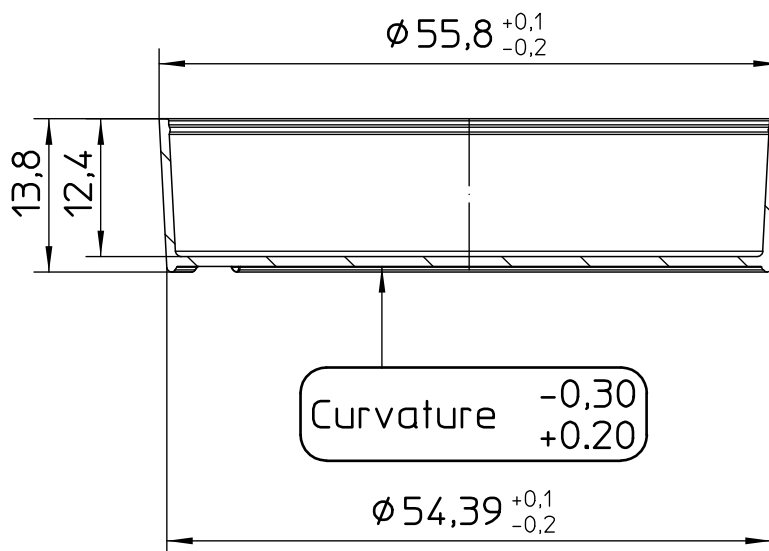
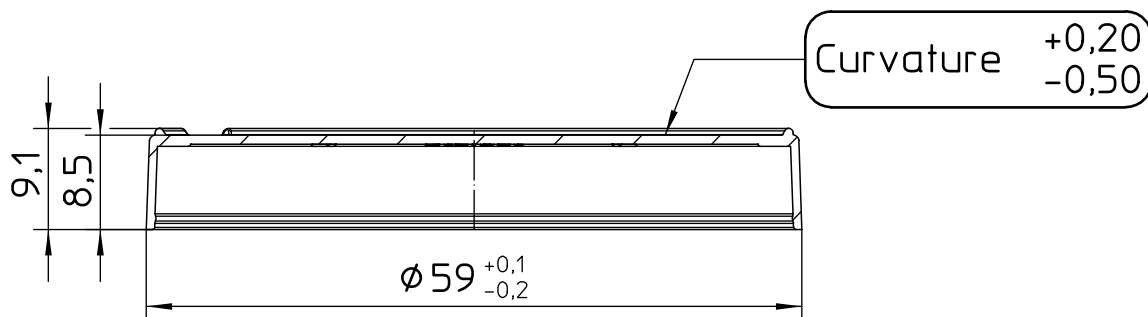
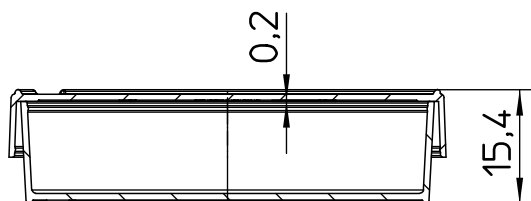
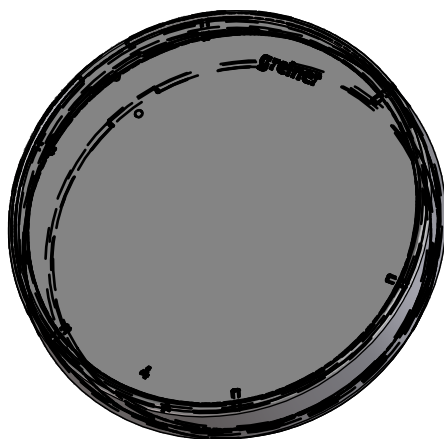


Valid for Item-No.: 628102, 628160, 628160-TRI, 628161




"All dimensions in mm"

Customer drawing subject to change without notice!

Uncontrolled Copy

Prior Issue	Drawn	Approved	Released	CONFIDENTIAL: Information contained in this document or drawing is confidential and proprietary to Greiner Bio-One GmbH. This document may not be reproduced for any reason without written permission from Greiner Bio-One GmbH. All rights of design, invention, and copyright are reserved.
Revision	Date 2017/11/03	Date 2017/11/21	Date 2017/11/21	
Date	Name gerlach	Name schwarzj	Name sonntag	

PDS No. 6281xx / 628160-TRI	PRODUCT DATA SHEET				Page 1 of 1
Revision 07	Petri Dish, 60 x 15 mm				 greiner bio-one
	Greiner Item-No. 6281xx / 628160-TRI				
Valid for Item-No.:	628102	628160 (sterile)	628161 (sterile)	628160-TRI (sterile)	

1.	Description / Specification	
1.1	Description	Petri Dish with vents 628102: standard 628160: CELLSTAR®, physical surface treatment, sterile 628161: sterile 628160-TRI: CELLSTAR®, physical surface treatment, sterile, triple packed
1.2	Dimensions	See Customer Drawing Total weight: 7,4 – 7,8 g
1.3	Volume	Max. volume: 28 ml Working volume: 6-7 ml 628160, -160-TRI: growth area: 21 cm ²
1.4	Material / Resin	Dish: PS (Polystyrene), free of heavy metal Lid: PS (Polystyrene), free of heavy metal
1.5	Colour	<u>Dish</u> : clear <u>Lid</u> : clear
1.6	Sterilisation	628102: no 628160, -161: SAL 10 ⁻³ 628160-TRI: SAL 10 ⁻⁶
1.7	Quality Control	- <u>Raw Material-Control</u> : physical testing - <u>Product-Control</u> : testing of attributive and variable characteristics in accordance with the valid specification
1.8	Other Information	- For single use only - Elevations for ventilation of culture

2.	Features	
2.1	Basic features	628102, 161: - 628160, -160-TRI: free of detectable DNase/RNase, human DNA and pyrogens. Contents non-cytotoxic
2.2	Temperature range	-20°C to +60°C
2.3	Autoclavability	No
2.4	Centrifugation, max. RCF	N/A
2.5	Chemical Resistance	See homepage: https://www.gbo.com/en_INT/know-how-services/download-center.html
2.6	Shelf life	628102: n/a 628160, -160-TRI: 4 years after month of production 628161: 5 years after month of production
2.7	Other Information	-

3.	Packaging	628102, -161	628160	628160-TRI
3.1	Pieces / Bag	20	10	10 (triple packed)
3.2	Pieces / Box	600	600	300
3.3	Lot-No.	E YY MM XXX (manufacturing facility, year, month, consecutive SAP-No.)		
3.4	Other Information	628160,-160-TRI: Certificate of Quality		

4.	Other Information
4.1	628160 / 628160-TRI: Research use only. Not for diagnostics.

Data Sheet subject to change without notice!

Prior Issue	Drawn	Approved	Released	CONFIDENTIAL: Information contained in this document or drawing is confidential and proprietary to Greiner Bio-One GmbH. This document may not be reproduced for any reason without written permission from Greiner Bio-One GmbH. All rights of design, invention, and copyright are reserved.
Revision 06	Date 31 July 2015	Date 3 August 2015	Date 26 August 2015	
Date 03.03.2015	Name S. Kaelberer	Name Dr. L. Breth	Name Dr. A. Ganser	

DISCLAIMER: The description of a certain product can only be considered as a guidance, because its performance ultimately depends on what the product is used for. Very often performance studies are indispensable.