

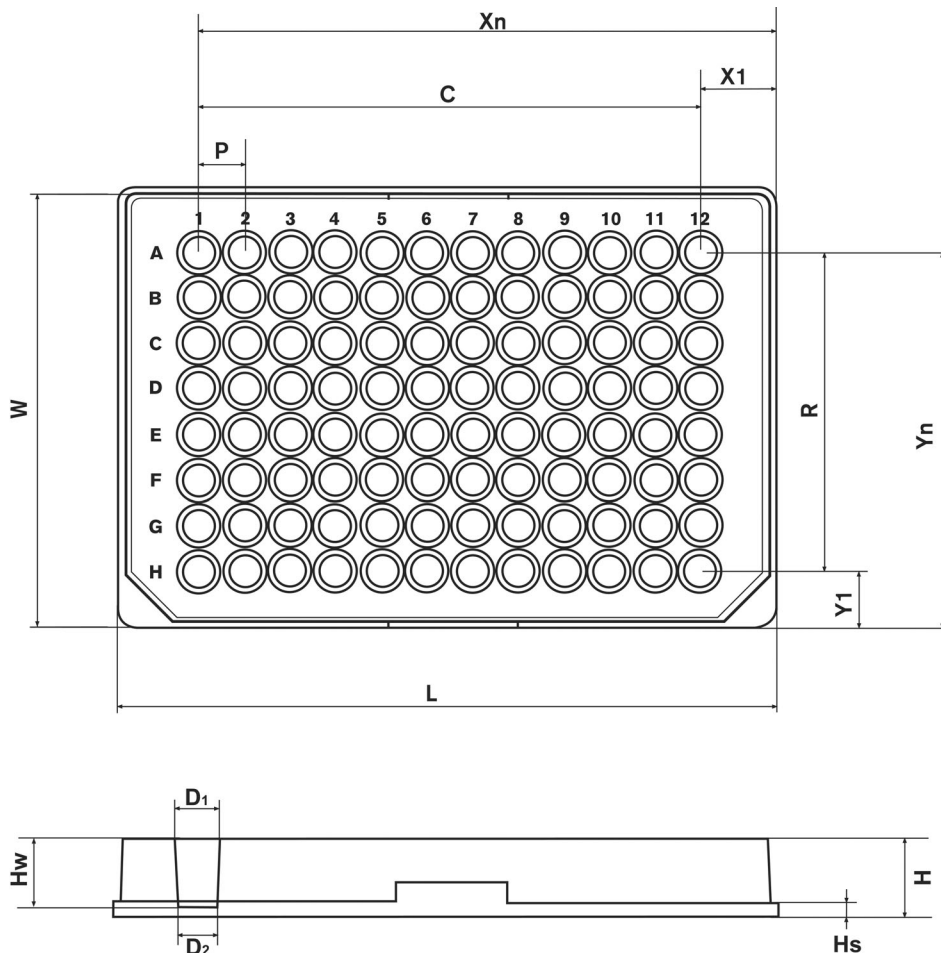


BRAND GMBH + CO KG

781614 96-well microplate

Surface:	pureGrade™ - non-treated, non-sterile; slightly hydrophilized
Type:	Standard with UV-transparent foil bottom
Material:	PS
Color:	Transparent
Bottom form:	F-bottom
Volume:	428 µl
Weight:	approx. 49,4 g / piece
Storage:	In closed original cartons, dry, at room temperature

Dimensions:



L	127,76 mm	Y1	11,24 mm
W	85,48 mm	Yn	74,24 mm
H	14,35 mm	P	9,00 mm
Hs	2,50 mm	D ₁	6,50 mm
Hw	13,50 mm	D ₂	6,00 mm
X1	14,38 mm	C	12
Xn	113,38 mm	R	8