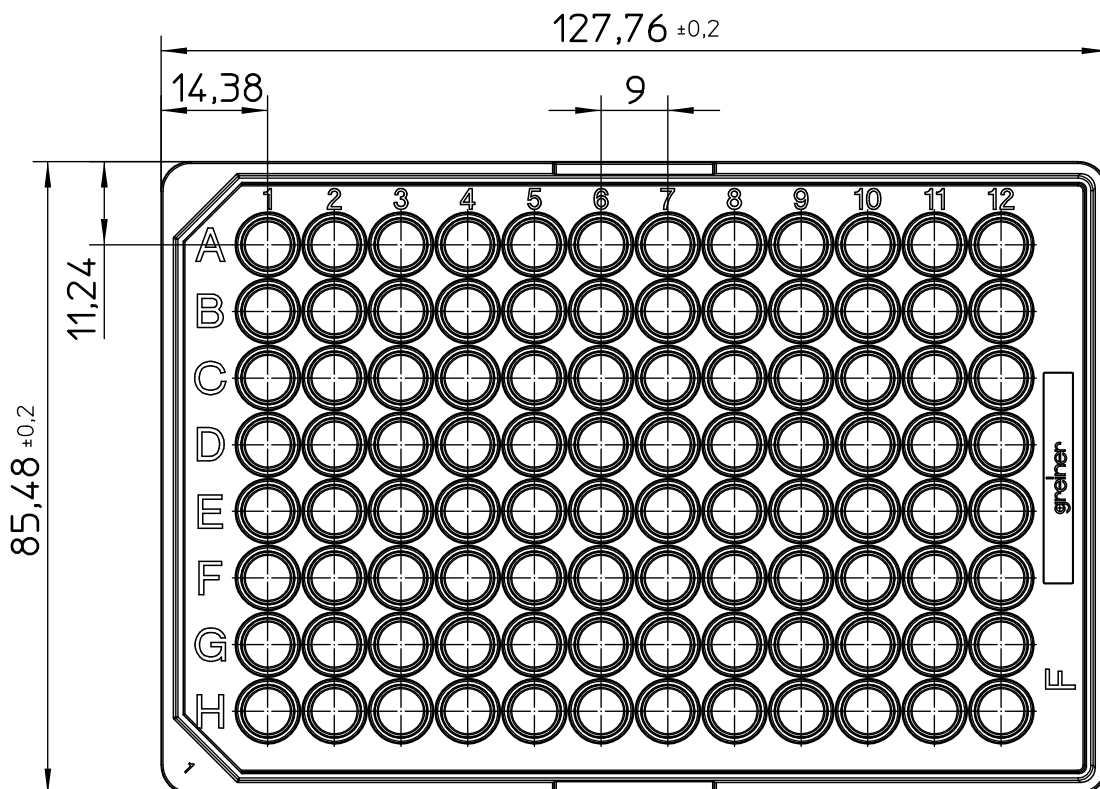
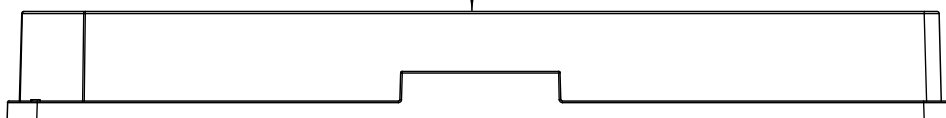


Curvature max.0,2




"All dimensions in mm"

Customer drawing subject to change without notice!

Uncontrolled Copy

Prior Issue	Drawn	Approved	Released	CONFIDENTIAL: Information contained in this document or drawing is confidential and proprietary to Greiner Bio-One GmbH. This document may not be reproduced for any reason without written permission from Greiner Bio-One GmbH. All rights of design, invention, and copyright are reserved.
Revision 1	Date 2015/02/12	Date 2017/05/03	Date 2017/05/03	
Date 2015/02/12	Name schwarzj	Name schwarzj	Name sonntag	

PDS No. 6551xx	PRODUCT DATA SHEET				Page 1 of 1
Revision 08	96 Well Microplate, PS, F-Bottom				 greiner bio-one
	Greiner Item-No. 6551xx				
Valid for Item-No.:	655101	655160 (sterile)	655161 (sterile)	655162 (sterile)	655180 (sterile)
	655182 (sterile)	655185 (sterile)			

1.	Description / Specification	
1.1	Description	PS Microplate, 96 well, clear, solid F-bottom (flat) 655101: standard 655161: standard, sterile 655160, -162: physical surface treatment, chimney well, sterile 655180, -182: physical surface treatment, chimney well, lid with condensation rings, sterile 655185: hydrophobic surface (without treatment), chimney well, lid with condensation rings, sterile
1.2	Dimensions	See customer drawing
1.3	Volume per well	655101, -161: total volume: 382 µl (mathematically calculated) working volume: 25-340 µl 655160, -162, -180, -182, -185: total volume: 392 µl (mathematically calculated) working volume: 25-340 µl 655160, -162, -180, -182: growth area: 34 mm ²
1.4	Material / Resin	PS (Polystyrene), free of heavy metal
1.5	Colour	Plate: clear Lid: clear
1.6	Sterilization	655101: No 655160, -161, -162, -180, -182, -185: SAL 10 ⁻³
1.7	Quality Control	- Raw Material-Control: physical testing - Product-Control: testing of attributive and variable characteristics in accordance with the valid specification
1.8	Other Information	For single use only

2.	Features	
2.1	Basic features	All Item-No.: free of detectable DNase/RNase, human DNA and pyrogens. 655160, -162, -180, -182, -185: contents non-cytotoxic
2.2	Temperature range	-20°C to +60°C
2.3	Autoclavability	No
2.4	Centrifugation, max. RCF	4800 x g: swinging-bucket rotor
2.5	Chemical Resistance	See homepage: https://www.gbo.com/en_INT/know-how-services/download-center.html
2.6	Shelf life	655101: n/a 655160, -162, -180, -182: 4 years after month of production 655161, -185: 5 years after month of production
2.7	Other Information	-

3.	Packaging	655101	655162	655160, -180	655161	655182	655185
3.1	Pieces / Bag	10	5	1	2	10	1
3.2	Pieces / Box	100	100	100	100	160	60
3.3	Lot-No.	E YY MM XXX (manufacturing facility, year, month, consecutive SAP-No.)					
3.4	Other Information	Certificate of Quality					

4.	Other Information
	-

Data Sheet subject to change without notice!

Prior Issue	Drawn	Approved	Released	CONFIDENTIAL: Information contained in this document or drawing is confidential and proprietary to Greiner Bio-One GmbH. This document may not be reproduced for any reason without written permission from Greiner Bio-One GmbH. All rights of design, invention, and copyright are reserved.
Revision 07	Date 14 August 2017	Date 14 August 2017	Date 14 August 2017	
Date 02.12.2014	Name S. Kaelberer	Name Dr. R. Heller	Name A. Schulz	

DISCLAIMER: The description of a certain product can only be considered as a guidance, because its performance ultimately depends on what the product is used for. Very often performance studies are indispensable.